



WALL FLANGE

WALL SUPPORT

BASIC INFO

Number of Connections:

One

Number of Set Screws:

Two

Finishes Available:

Galvanized

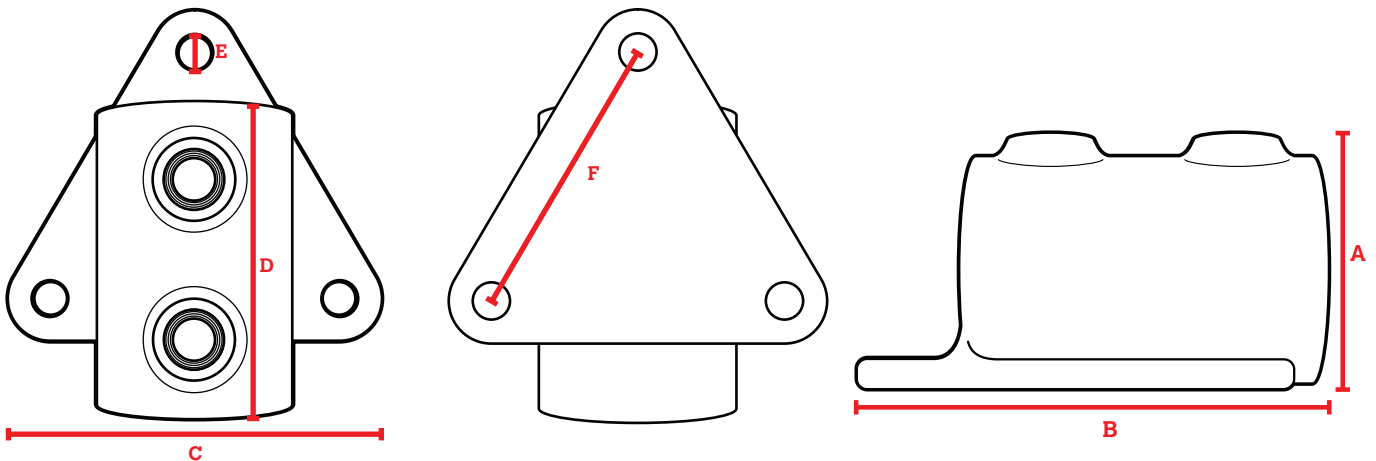
Piece Allow Movement:

No

Wall Flange fittings are perfect for being an end secure point for a pipe. Built with a lip to keep the pipe from running through, the fitting comes with two screws to firmly secure the pipe and fitting together. The wide triangle base has three screw holes to secure the fitting to your base.

FEATURES:

- Hot-dipped galvanized coating for corrosion resistance
- Iron construction for durable performance
- Easy installation and removal, no permanent connections
- No special tools needed
- Use an Allen Wrench for connections
- Able to operate in temperatures ranging from -20°C to 300°C



Part #	Finish	Sizing	Set Screw (in x mm)	A (Total Height)	B (Total Width)	C (Total Length)	D (Insertion Depth)	E (Hole Diameter)	F (Screw Hole Distance)	Fits Pipe OD (in)	Weight (lbs)
674-606HC	Galvanized	1-1/4in	3/8 x 12.7	2.35	4.27	4.23	2.83	0.39	3.19	1.660	1.67