

VERTICAL RAILING SIDE SUPPORT

BASE SUPPORT

BASIC INFO

Number of Connections:

One

Number of Set Screws:

Two

Finishes Available:

Galvanized

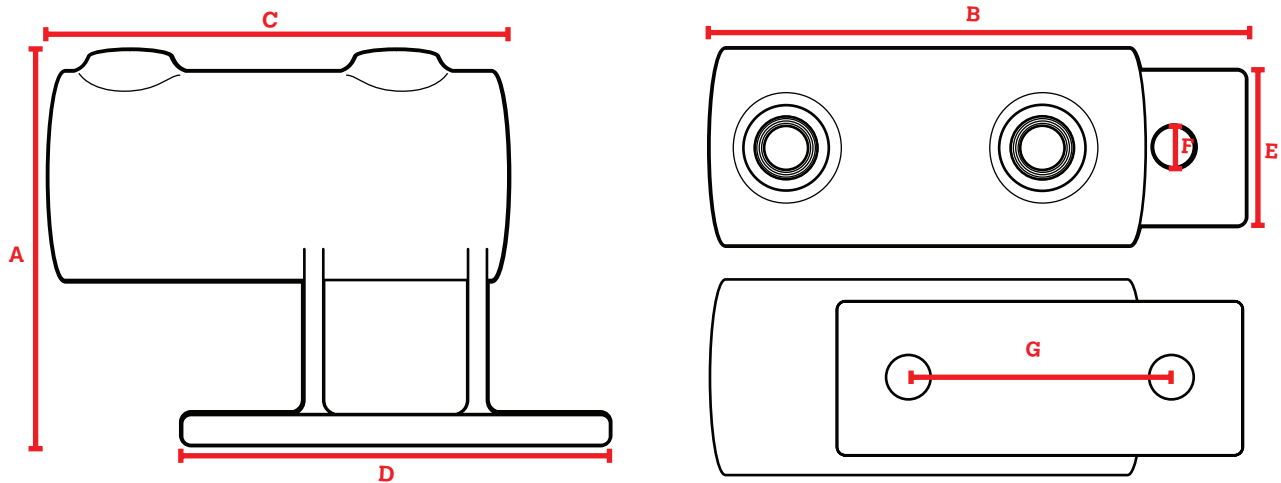
Piece Allow Movement:

No

The Vertical Rail Support is an end fitting made to hold a pipe in place without letting it run through the fitting and is fashioned to secure to a vertical surface. The fitting has a lip created to keep the pipe from running through the fitting. The base has two screw holes for to secure the fitting to the base and two screws are included for securing the pipe to the fitting.

FEATURES:

- Hot-dipped galvanized coating for corrosion resistance
- Iron construction for durable performance
- Easy installation and removal, no permanent connections
- No special tools needed
- Use an Allen Wrench for connections
- Able to operate in temperatures ranging from -20°C to 300°C



Part #	Finish	Sizing	SET SCREW (in x mm)	A (Total Height)	B (Total Width)	C (Insertion Depth)	D (Base Width)	E (Base Length)	F (Screw Hole Diameter)	G (Screw Hole Distance)	Fits Pipe OD (in)	Weight (lbs)
674-406HC	Galvanized	1-1/4in	3/8 x 12.7	3.75	5.55	3.98	4.33	2.09	0.59	2.83	1.660	2.57