



TWO SOCKET CROSS

MIDDLE SUPPORT

BASIC INFO

Number of Connections:

Three

Number of Set Screws:

Three

Finishes Available:

Black & Galvanized

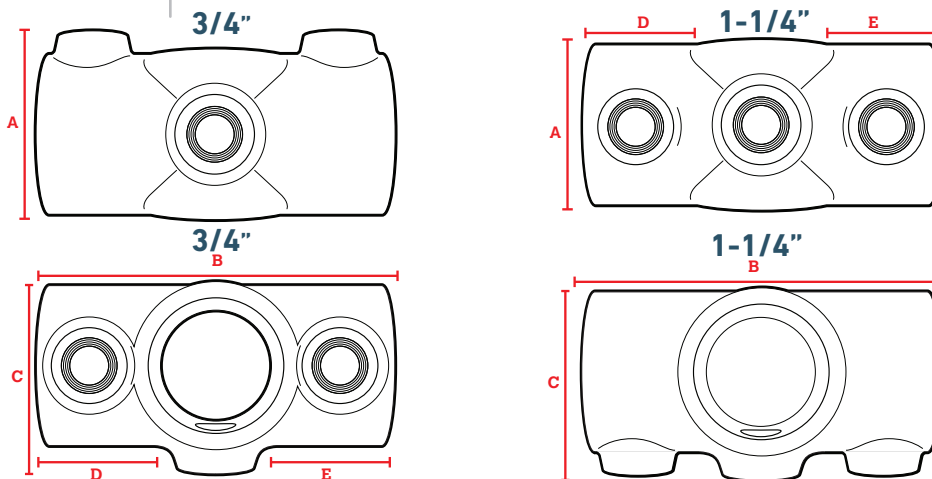
Piece Allow Movement:

No

The Two Socket Cross makes two pipe ends meet a vertically running pipe to form a cross. This item is commonly used as a middle support in railing or fencing. Three screws come with this fitting for a secure connection.

FEATURES

- Hot-dipped galvanized or black electrophoretic coating for corrosion resistance
- Iron construction for durable performance
- Easy installation and removal, no permanent connections
- No special tools needed
- Use an Allen Wrench for connections
- Able to operate in temperatures ranging from -20°C to 300°C



PART #	FINISH	SIZING	SET SCREW (in x mm)	A (Total Height)	B (Total Width)	C (Total Depth)	D (Insertion Depth)	E (Insertion Depth)	FITS PIPE OD (in)	WEIGHT (lbs)
671-904HC	Galvanized	3/4in	1/4 x 12.5	1.71	3.15	1.71	0.69	0.69	1.050	0.60
671-906HC	Galvanized	1-1/4in	3/8 x 12.7	2.33	4.72	2.33	1.28	1.28	1.660	1.36
681-904HC	Black	3/4in	1/4 x 12.5	1.71	3.15	1.71	0.69	0.69	1.050	0.60