



# THREE SOCKET TEE

TOP/UPRIGHT SUPPORT

## BASIC INFO

**Number of Connections:**

Three

**Number of Set Screws:**

Three

**Finishes Available:**

Black & Galvanized

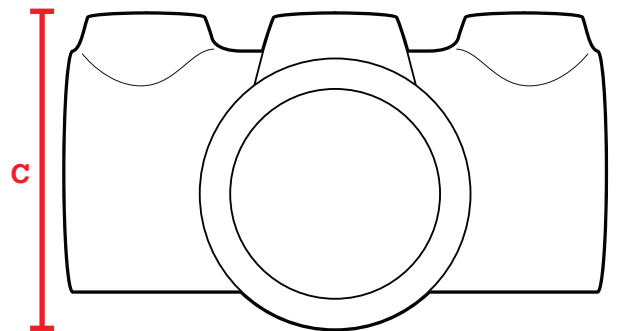
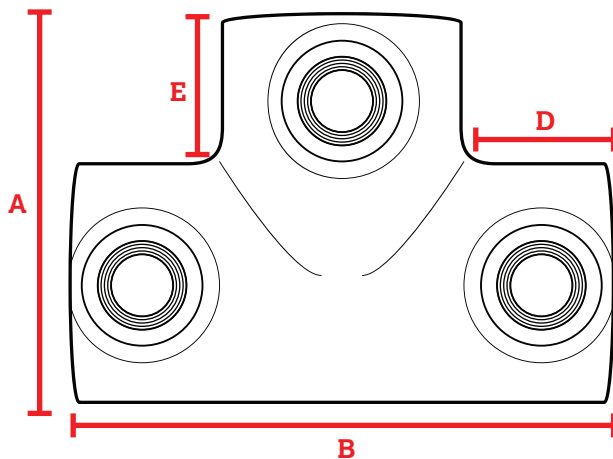
**Piece Allow Movement:**

No

The Three Socket Tee is designed to create a 90-degree joint between two pipes. This item allows for a secure joining of a top rail to an intersecting bottom rail. Three screws are included with this fitting to secure both pipes within the fitting.

## FEATURES:

- Hot-dipped galvanized or black electrophoretic coating for corrosion resistance
- Iron construction for durable performance
- Easy installation and removal, no permanent connections
- No special tools needed
- Use an Allen Wrench for connections
- Able to operate in temperatures ranging from -20°C to 300°C



PART #	FINISH	SIZING	SET SCREW (in x mm)	A (Total Height)	B (Total Width)	C (Total Depth)	D (Insertion Depth)	E (Insertion Depth)	FITS PIPE OD (in)	WEIGHT (lbs)
670-402HC	Galvanized	3/8in	1/8 x 10	1.72	2.39	1.20	0.68	0.68	0.68	0.37
670-404HC	Galvanized	3/4in	1/4 x 12.5	2.34	3.23	1.67	0.84	0.84	1.050	0.71
670-406HC	Galvanized	1-1/4in	3/8 x 12.7	3.45	4.74	2.33	1.28	1.28	1.660	1.74
680-402HC	Black	3/8in	1/8 x 10	1.72	2.39	1.20	0.68	0.68	0.68	0.37
680-404HC	Black	3/4in	1/4 x 12.5	2.34	3.23	1.67	0.84	0.84	1.050	0.71