

THREE SOCKET CROSS

MIDDLE SUPPORT

BASIC INFO

Number of Connections:

Four

Number of Set Screws:

Four

Finishes Available:

Black & Galvanized

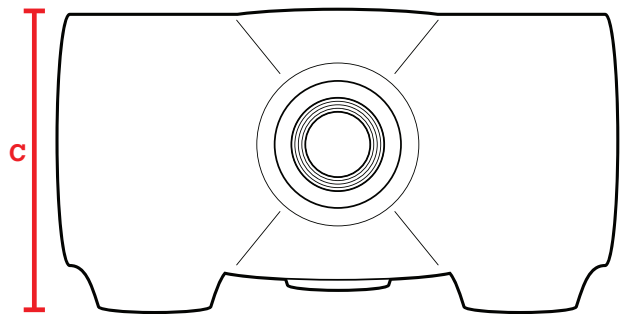
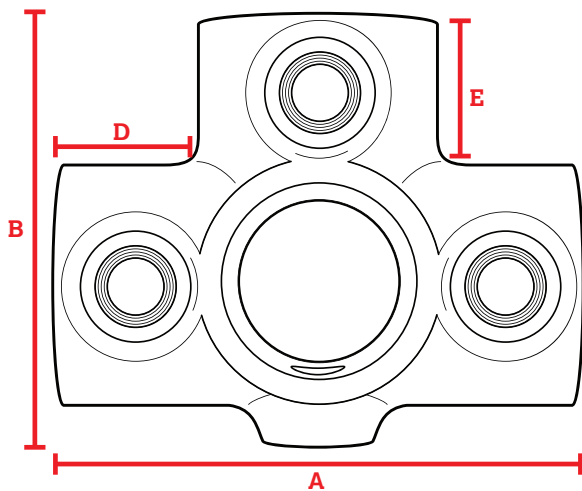
Piece Allow Movement:

No

The Three Socket Cross is a great piece for tying together several pipes in a large project. This fitting allows three pipes to connect from three different directions to a central vertical running pipe. Each pipe connection point comes with one screw for a secure connection to the fitting.

FEATURES:

- Hot-dipped galvanized or black electrophoretic coating for corrosion resistance
- Iron construction for durable performance
- Easy installation and removal, no permanent connections
- No special tools needed
- Use an Allen Wrench for connections
- Able to operate in temperatures ranging from -20°C to 300°C



Part #	Finish	Sizing	Set Screw (in x mm)	A (Total Height)	B (Total Width)	C (Total Length)	D (Insertion Depth)	E (Insertion Depth)	Fits Pipe OD (in)	Weight (lbs)
677-604HC	Galvanized	3/4in	1/4 x 12.5	3.15	2.54	1.71	0.82	0.82	1.050	0.74
677-606HC	Galvanized	1-1/4in	3/8 x 12.7	4.72	3.61	2.33	1.27	1.27	1.660	1.61
687-604HC	Black	3/4in	1/4 x 12.5	3.15	2.54	1.71	0.82	0.82	1.050	0.74