



# SWIVEL ELBOW

## CORNER SUPPORT

### BASIC INFO

**Number of Connections:**

Two

**Number of Set Screws:**

Two

**Finishes Available:**

Galvanized

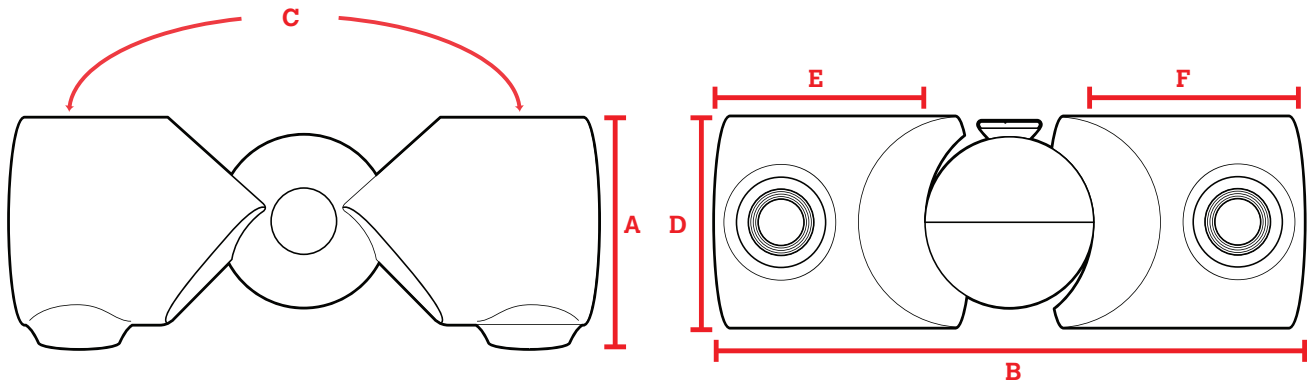
**Piece Allow Movement:**

Yes

The Swivel Elbow lets you add an element of movement to your project. Made with flexibility in mind, this fitting has two end caps loosely joined. No project should have an excess of these fittings as they do not provide the best stability and should be used with other rigid fittings.

### FEATURES:

- Hot-dipped galvanized coating for corrosion resistance
- Iron construction for durable performance
- Easy installation and removal, no permanent connections
- No special tools needed
- Use an Allen Wrench for connections
- Able to operate in temperatures ranging from -20°C to 300°C



PART #	SIZING	SET SCREW (in x mm)	A (Total Height)	B (Total Width)	C (Angle)	D (Depth)	E (Insertion Depth)	F (Insertion Depth)	FITS PIPE OD (in)	WEIGHT (lbs)
672-536HC	1-1/4in	3/8 x 12.7	2.33	5.91	90°	2.17	2.43	2.43	1.660	1.91