

## SWIVEL ELBOW



672-536HC | 1-1/4in

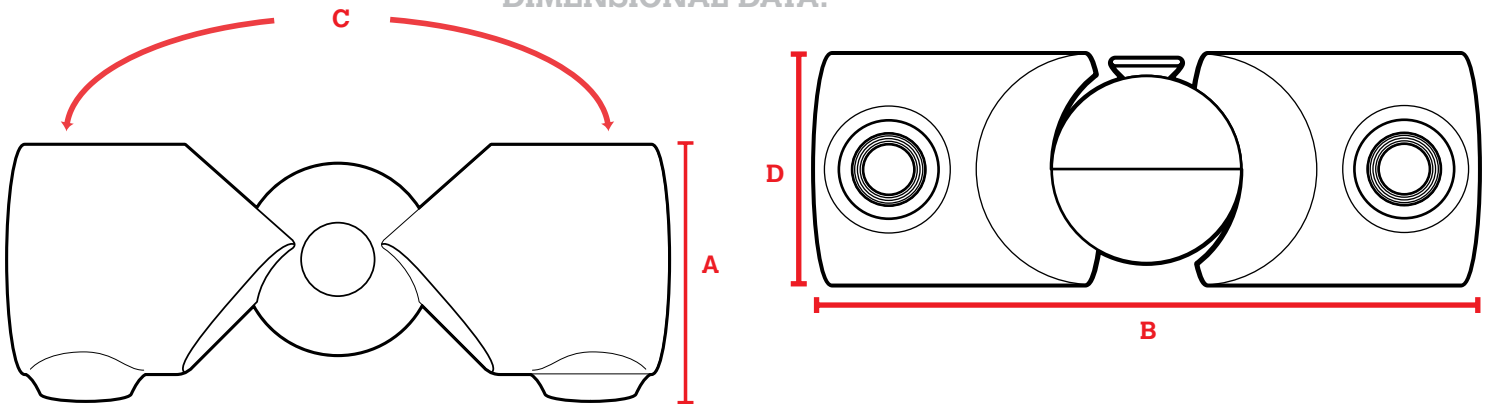
### DESCRIPTION:

The Swivel Elbow lets you add an element of movement to your project. Made with flexibility in mind, this fitting has two endcaps loosely joined. No project should have an excess of these fittings as they do not provide the best stability and should be used with other rigid fittings.

### FEATURES:

- Hot-Dipped Galvanized coating for corrosion resistance
- Iron construction for durable performance
- Easy installation and removal, no permanent connections
- No special tools needed
- Use an Allen Wrench for connections
- Able to operate in temperatures ranging from -20°C to 300°C

### DIMENSIONAL DATA:



PART #	SIZING	INSTALLATION SCREW (IN X MM)	A (Total Height)	B (Total Width)	C (Angle)	D (Depth)	FITS PIPE OD (IN)	WEIGHT (LBS)
672-536HC	1-1/4in	3/8 x 12.7	2.33	5.91	90°	2.17	1.660	1.91

### CERTIFICATIONS & SAFETY:

- Materials meets ASTM A-197 Standard
- Not for Plumbing Applications
- Not for Scaffolding Applications
- Made to fit with SteelTek Pipe

#### California Prop 65 Warning:

This product contains chemicals including lead known to the State of California to cause cancer and birth defects or other reproductive harm. Wash hands after use.