



SWIVEL COUPLING CASTER

BOTTOM SUPPORT

BASIC INFO

Number of Connections:

One

Number of Set Screws:

One

Finishes Available:

Black & Galvanized

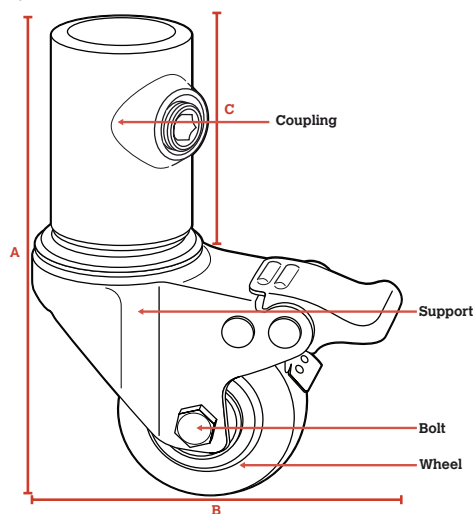
Piece Allow Movement:

Yes

The Swivel Coupling Caster can be used for various projects that need to be moved around. This Caster can be turned in any direction for optimal movement and also includes a brake. This item is connected to projects by sliding a SteelTek pipe into the top coupling and is secured by a set screw.

FEATURES:

- Hot-dipped galvanized or black electrophoretic coating for corrosion resistance
- Iron construction for durable performance
- Easy installation and removal, no permanent connections
- No special tools needed
- Use an Allen Wrench for connections
- Able to operate in temperatures ranging from -20°C to 300°C



Part #	Finish	Sizing	Set Screw (in x mm)	A (Total Height)	B (Total Width)	C (Insertion Depth)	Weight Capacity (lbs)	Fits Pipe OD (in)	Weight (lbs)
678-514	Black & Galvanized	3/4in	1/4 x 12.5	4.80	3.90	1.4375	125	1.050	2.18

COUPLING	SUPPORT	BOLT	WHEEL
Galvanized Steel	Carbon Steel	Stainless Steel	Rubber