



678-514 | 3/4in

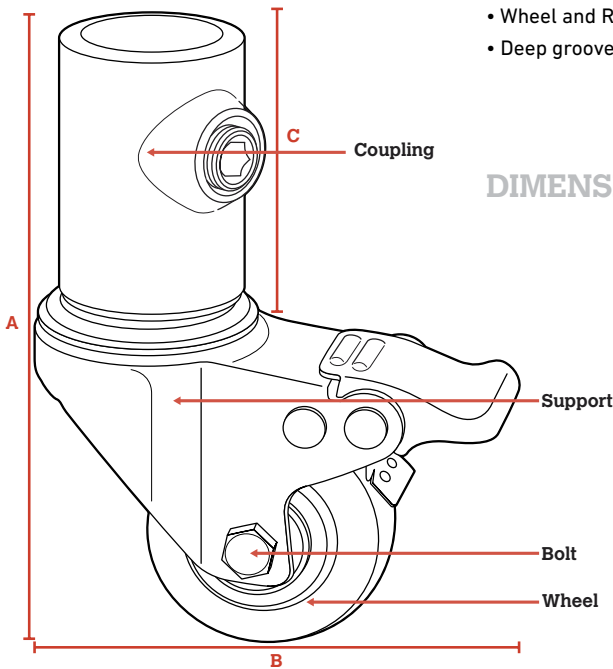
SWIVEL CASTER

DESCRIPTION:

The Swivel Caster can be used for various projects that need to be moved around. This Caster can be turned in any direction for optimal movement and als includes a brake. This item is connected to projects by sliding a SteelTek pipe into the top coupling and is secured by a set screw.

FEATURES:

- Swivel Caster Wheel with Brake
- Wheel and Rim Material
- Deep groove ball bearing on the fitting union.
- Wheel with anti-dust stainless steel double bearing



DIMENSIONAL DATA:

PART #	SIZING	A (Total Height)	B (Total Width)	C (Insert Depth)	FITS PIPE OD (IN)	WEIGHT (LBS)
678-514	3/4in	4.80	3.90	1.4375	1.050	1.1

COUPLING	SUPPORT	BOLT	WHEEL
Galvanized Steel	Carbon Steel	Stainles Steel	Rubber

CERTIFICATIONS & SAFETY:

- Materials meets ASTM A-197 Standard
- Not for Plumbing Applications
- Not for Scaffolding Applications
- Made to fit with SteelTek Pipe

California Prop 65 Warning:

This product contains chemicals including lead known to the State of California to cause cancer and birth defects or other reproductive harm. Wash hands after use.