



SWIVEL CASTER

BOTTOM SUPPORT

BASIC INFO

Number of Connections:

None

Number of Set Screws:

None

Finishes Available:

Black

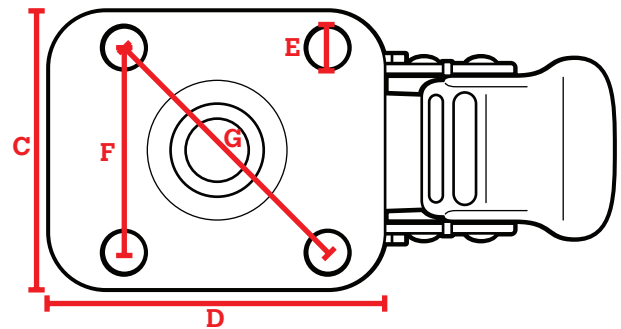
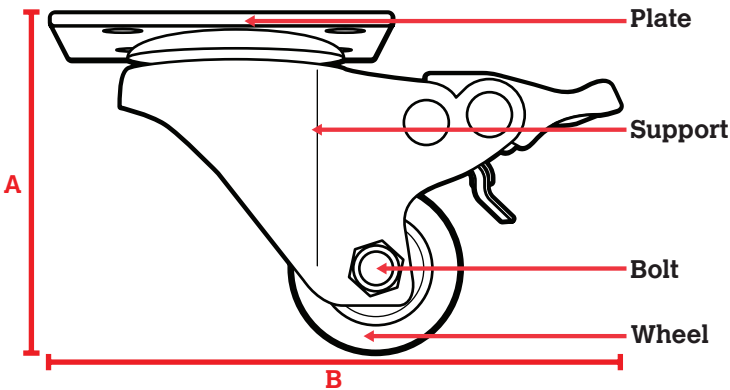
Piece Allow Movement:

Yes

The Swivel Caster can be used for various projects that want to be moved around. This Caster can be turned in any direction for optimal movement. This fitting fit into the bottom of the Flange fittings and are connected with nuts and bolts.

FEATURES:

- Black electrophoretic coating for corrosion resistance
- Iron construction for durable performance
- Easy installation and removal, no permanent connections
- No special tools needed
- Use an Allen Wrench for connections
- Able to operate in temperatures ranging from -20°C to 300°C



Part #	Finish	Sizing	A (Total Height)	B (Total Width)	C (Plate Length)	D (Plate Width)	E (Screw Hole Diameter)	F (Screw Hole Distance)	G (Screw Hole Distance)	Weight Capacity (lbs)	Fits Pipe OD (in)	Weight (lbs)
678-504	Black	3/4in	2.80	4.25	2.11	2.56	0.33	1.30	0.83	125	1.050	0.47

PLATE (B-C)	SUPPORT	BOLT	WHEEL
Carbon Steel	Carbon Steel	Stainless Steel	Rubber