



# SWIVEL BASE

## BASE SUPPORT

### BASIC INFO

**Number of Connections:**

One

**Number of Set Screws:**

One

**Finishes Available:**

Black & Galvanized

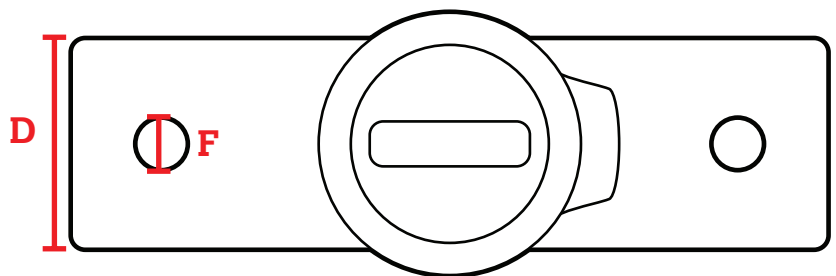
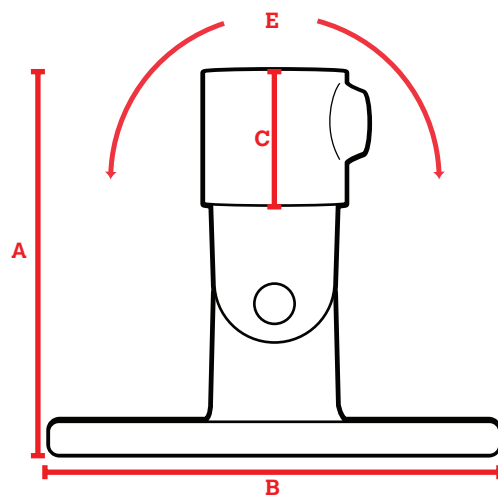
**Piece Allow Movement:**

Yes

Swivel Base's are a combination of a Flange and Swivel Socket to let you have a secure base that can be adjusted with the ability to change directions 180°. The wide base is has two pre-drilled holes for securing the fitting to a solid platform and the pipe end fits securely to the swivel connection point. This point comes with a screw for securing the pipe to the fitting.

### FEATURES:

- Hot-dipped galvanized or black electrophoretic coating for corrosion resistance
- Iron construction for durable performance
- Easy installation and removal, no permanent connections
- No special tools needed
- Use an Allen Wrench for connections
- Able to operate in temperatures ranging from -20°C to 300°C



Part #	Finish	Sizing	Set Screw (in x mm)	A (Total Height)	B (Total Width)	C (Insertion Depth)	D (Base Length)	E (Angle)	F (Screw Hole Diameter)	Fits Pipe OD (in)	Weight (lbs)
676-904HC	Galvanized	3/4in	1/4 x 12.5	3.72	4.41	1.18	2.05	180°	0.43	1.050	1.29
676-906HC	Galvanized	1-1/4in	3/8 x 12.7	4.03	4.41	1.50	2.05	160°	0.43	1.660	1.78
686-904HC	Black	3/4in	1/4 x 12.5	3.72	4.41	1.18	2.05	180°	0.43	1.050	1.29