



SWIVEL BASE

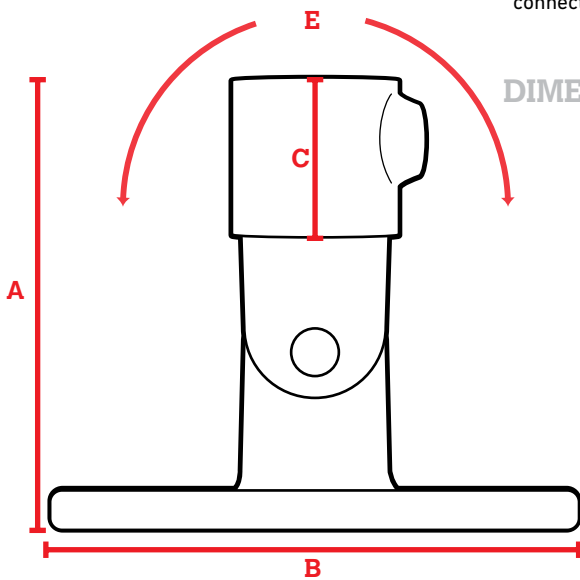
DESCRIPTION:

Swivel Base's are a combination of a Flange and Swivel Socket to let you have a secure base that can be adjusted with the ability to change directions 180-degrees. The wide base is has two pre-drilled holes for securing the fitting to a solid platform and the pipe end fits securely to the swivel connection point. This point comes with a screw for securing the pipe to the fitting.

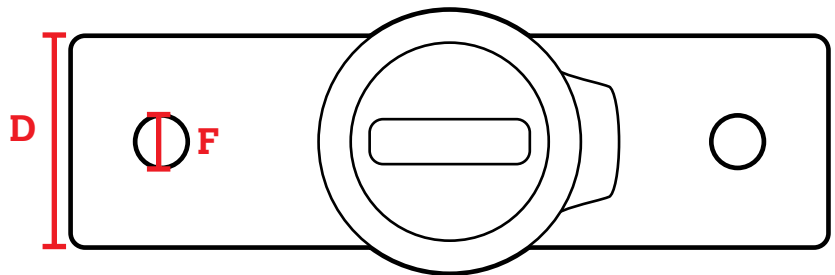
676-904HC | 3/4in
676-906HC | 1-1/4in
686-904HC | 3/4in

FEATURES:

- Hot-Dipped Galvanized or Black Electroplated coating for corrosion resistance
- Iron construction for durable performance
- Easy installation and removal, no permanent connections
- No special tools needed
- Use an Allen Wrench for connections
- Able to operate in temperatures ranging from -20°C to 300°C



DIMENSIONAL DATA:



PART #	FINISH	SIZING	INSTALLATION SCREW (IN X MM)	A (Total Height)	B (Total Width)	C (Insert Depth)	D (Base Length)	E (Angle)	F (Screw Hole Diameter)	FITS PIPE OD (IN)	WEIGHT (LBS)
676-904HC	Galvanized	3/4in	1/4 x 12.5	3.72	4.41	1.18	2.05	180°	0.43	1.050	1.29
676-906HC	Galvanized	1-1/4in	3/8 x 12.7	4.03	4.41	1.50	2.05	160°	0.43	1.660	1.78
686-904HC	Black	3/4in	1/4 x 12.5	3.72	4.41	1.18	2.05	180°	0.43	1.050	1.29

CERTIFICATIONS & SAFETY:

- Materials meets ASTM A-197 Standard
- Not for Plumbing Applications
- Not for Scaffolding Applications
- Made to fit with SteelTek Pipe

California Prop 65 Warning:

This product contains chemicals including lead known to the State of California to cause cancer and birth defects or other reproductive harm. Wash hands after use.