



# STRAIGHT COUPLING

## MIDDLE SUPPORT

### BASIC INFO

**Number of Connections:**

Two

**Number of Set Screws:**

Two

**Finishes Available:**

Black & Galvanized

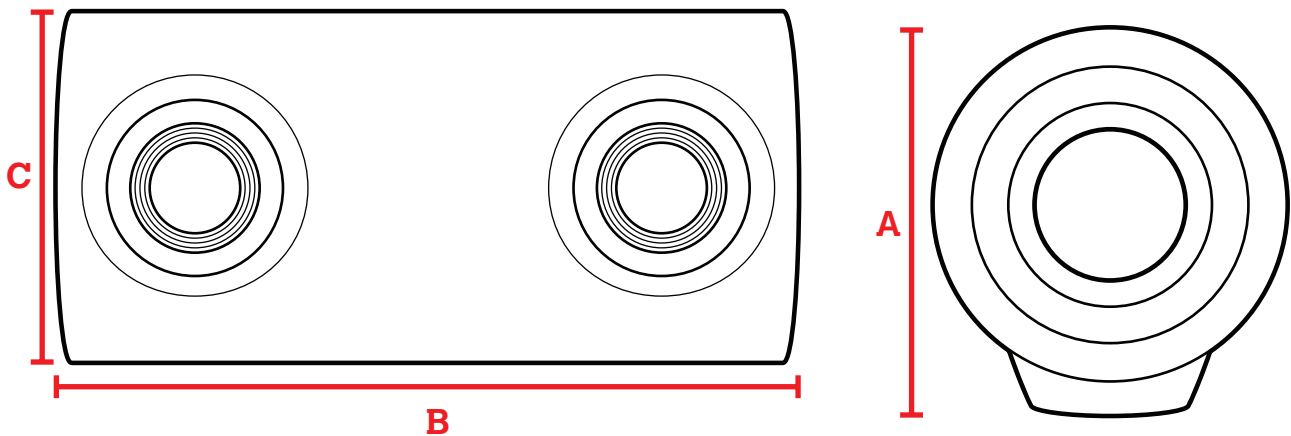
**Piece Allow Movement:**

No

The Straight Coupling is a basic fitting allowing for two pipes to be joined into one system. The fitting allows for two pipes to slide through the fitting and meet in the middle with a screw at each end to secure the pipes and fitting into one solid joint. This fitting comes with two screws.

### FEATURES:

- Hot-dipped galvanized or black electrophoretic coating for corrosion resistance
- Iron construction for durable performance
- Easy installation and removal, no permanent connections
- No special tools needed
- Use an Allen Wrench for connections
- Able to operate in temperatures ranging from -20°C to 300°C



Part #	Finish	Sizing	Set Screw (in x mm)	A (Total Height)	B (Total Width)	C (Depth)	Fits Pipe OD (in)	Weight (lbs)
674-902HC	Galvanized	3/8in	1/8 x 10	1.21	2.38	1.03	0.68	0.27
674-904HC	Galvanized	3/4in	1/4 x 12.5	1.67	2.99	1.50	1.050	0.59
674-906HC	Galvanized	1-1/4in	3/8 x 12.7	2.33	4.02	2.17	1.660	1.20
684-902HC	Black	3/8in	1/8 x 10	1.21	2.38	1.03	0.68	0.27
684-904HC	Black	3/4in	1/4 x 12.5	1.67	2.99	1.50	1.050	0.59