

STANDARD RAIL FLANGE

BASE SUPPORT

BASIC INFO

Number of Connections:

One

Number of Set Screws:

Two

Finishes Available:

Black & Galvanized

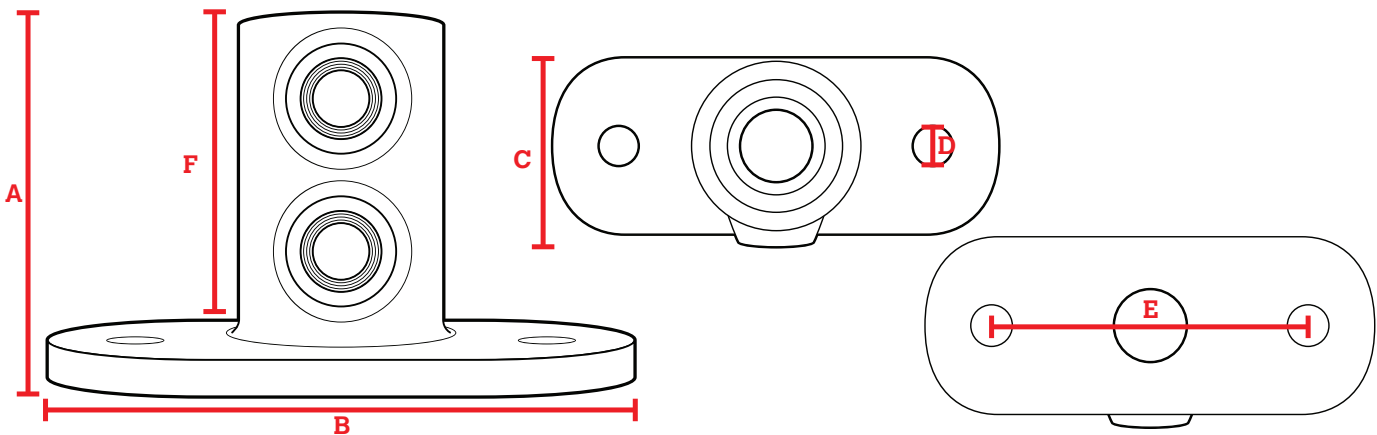
Piece Allow Movement:

No

The Standard Railing Flange is great for providing a base for support railing. This fitting is forged to allow for heavy duty screws placement and two screws are included for a solid connection with the pipe creating a secure railing base.

FEATURES:

- Hot-dipped galvanized or black electrophoretic coating for corrosion resistance
- Iron construction for durable performance
- Easy installation and removal, no permanent connections
- No special tools needed
- Use an Allen Wrench for connections
- Able to operate in temperatures ranging from -20°C to 300°C



PART #	FINISH	SIZING	SET SCREW (in x mm)	A (Total Height)	B (Total Length)	C (Total Width)	D (Hole Diameter)	E (Screw Hole Distance)	F (Insertion Depth)	FITS PIPE OD (in)	WEIGHT (lbs)
673-202HC	Galvanized	3/8/in	1/8 x 10	1.96	2.91	1.58	0.35	1.80	1.73	0.68	0.43
673-204HC	Galvanized	3/4in	1/4 x 12.5	2.56	4.13	2.05	0.45	2.99	2.28	1.050	0.88
673-206HC	Galvanized	1-1/4in	3/8 x 12.7	3.46	5.43	2.76	0.57	3.86	3.15	1.660	1.87
683-202HC	Black	3/8in	1/8 x 10	1.96	2.91	1.58	0.35	1.80	1.73	0.68	0.43
683-204HC	Black	3/4in	1/4 x 12.5	2.56	4.13	2.05	0.45	2.99	2.28	1.050	0.88