



# SINGLE SWIVEL SOCKET

## TOP/UPRIGHT SUPPORT

### BASIC INFO

**Number of Connections:**

Two

**Number of Set Screws:**

Two

**Finishes Available:**

Black & Galvanized

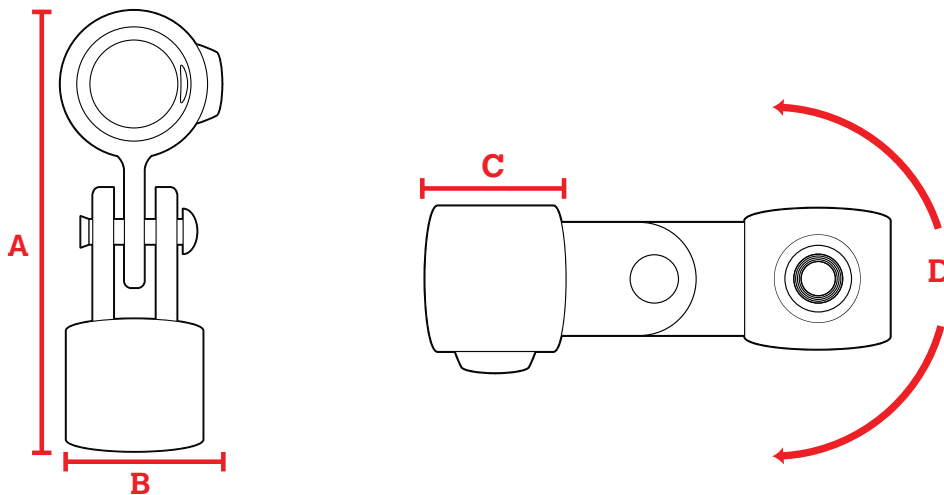
**Piece Allow Movement:**

Yes

The Single Swivel Socket allows for a pipe to intersect another pipe and the swivel connection gives the intersecting pipe the ability to be adjusted 180°. Each pipe connection point has one screw included to fit the pipes and fitting together for a secure connection.

### FEATURES:

- Hot-dipped galvanized or black electrophoretic coating for corrosion resistance
- Iron construction for durable performance
- Easy installation and removal, no permanent connections
- No special tools needed
- Use an Allen Wrench for connections
- Able to operate in temperatures ranging from -20°C to 300°C



Part #	Finish	Sizing	Set Screw (in x mm)	A (Total Height)	B (Total Width)	C (Insertion Depth)	D (Angle)	Fits Pipe OD (in)	Weight (lbs)
677-302HC	Galvanized	3/8in	1/8 x 10	3.08	1.04	0.96	180°	0.68	0.39
677-304HC	Galvanized	3/4in	1/4 x 12.5	3.98	1.46	1.18	180°	1.050	0.84
677-306HC	Galvanized	1-1/4in	3/8 x 12.7	4.61	2.17	1.50	160°	1.660	1.70
687-302HC	Black	3/8in	1/8 x 10	3.08	1.04	0.96	180°	0.68	0.39
687-304HC	Black	3/4in	1/4 x 12.5	3.98	1.46	1.18	180°	1.050	0.84