



SINGLE SWIVEL SOCKET

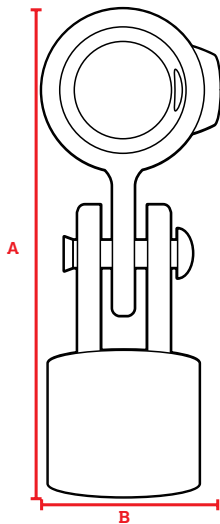
DESCRIPTION:

The Single Swivel Socket allows for a pipe to intersect another pipe and the swivel connection gives the intersecting pipe the ability to be adjusted 180-degree. Each pipe connection point has one screw included to fit the pipes and fitting together for a secure connection.

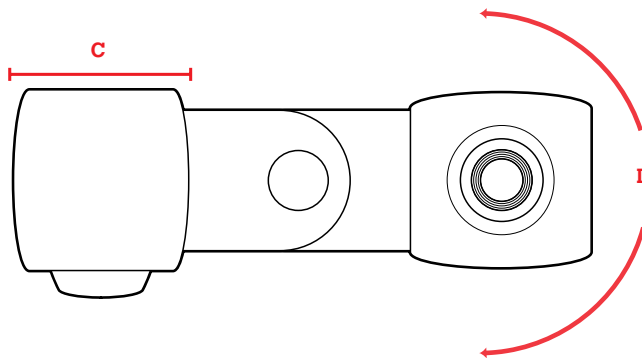
FEATURES:

- Hot-Dipped Galvanized or Black Electroplated coating for corrosion resistance
- Iron construction for durable performance
- Easy installation and removal, no permanent connections
- No special tools needed
- Use an Allen Wrench for connections
- Able to operate in temperatures ranging from -20°C to 300°C

- 677-302HC | 3/8in
- 677-304HC | 3/4in
- 677-306HC | 1-1/4in
- 687-302HC | 3/8in
- 687-304HC | 3/4in



DIMENSIONAL DATA:



PART #	FINISH	SIZING	INSTALLATION SCREW (IN X MM)	A (Total Height)	B (Total Width)	C (Insert Depth)	D (Angle)	FITS PIPE OD (IN)	WEIGHT (LBS)
677-302HC	Galvanized	3/8in	1/8 x 10	3.08	1.04	0.96	180°	0.68	0.39
677-304HC	Galvanized	3/4in	1/4 x 12.5	3.98	1.46	1.18	180°	1.050	0.84
677-306HC	Galvanized	1-1/4in	3/8 x 12.7	4.61	2.17	1.50	160°	1.660	1.70
687-302HC	Black	3/8in	1/8 x 10	3.08	1.04	0.96	180°	0.68	0.39
687-304HC	Black	3/4in	1/4 x 12.5	3.98	1.46	1.18	180°	1.050	0.84

CERTIFICATIONS & SAFETY:

- Materials meets ASTM A-197 Standard
- Not for Plumbing Applications
- Not for Scaffolding Applications
- Made to fit with SteelTek Pipe

California Prop 65 Warning:

This product contains chemicals including lead known to the State of California to cause cancer and birth defects or other reproductive harm. Wash hands after use.