



# SINGLE SOCKET TEE

TOP/UPRIGHT SUPPORT

## BASIC INFO

**Number of Connections:**

Two

**Number of Set Screws:**

Two

**Finishes Available:**

Black & Galvanized

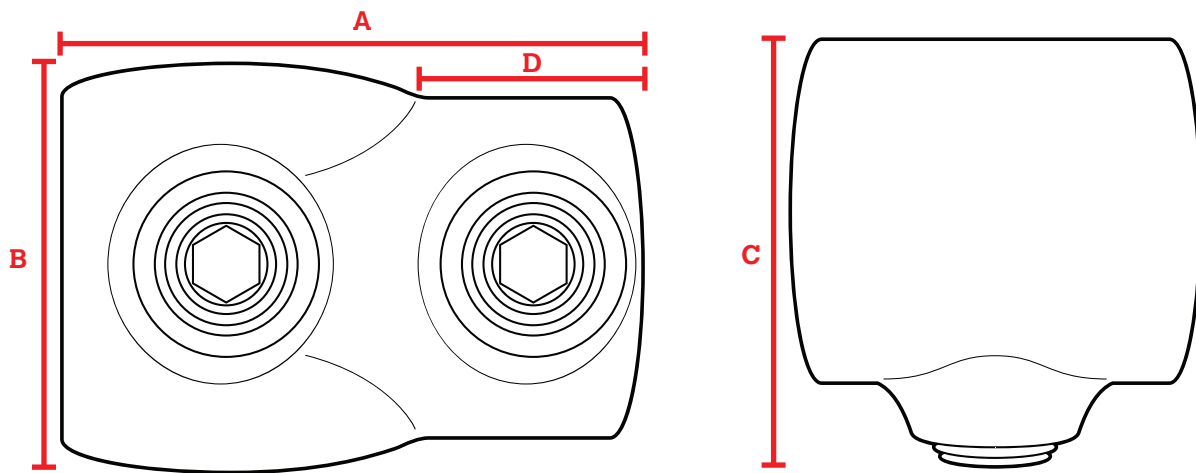
**Piece Allow Movement:**

No

The Single Socket Tee is perfect for connecting two perpendicular pipes. This item allows projects to add and adjustable branch for new opportunities. The two included screws each tighten to a separate pipe for a secure installation but can be loosened later for adjustments.

**FEATURES:**

- Hot-dipped galvanized or black electrophoretic coating for corrosion resistance
- Iron construction for durable performance
- Easy installation and removal, no permanent connections
- No special tools needed
- Use an Allen Wrench for connections
- Able to operate in temperatures ranging from -20°C to 300°C



PART #	FINISH	SIZING	SET SCREW (in x mm)	A (Total Height)	B (Total Width)	C (Total Depth)	D (Insertion Depth)	FITS PIPE OD (in)	WEIGHT (lbs)
670-102HC	Galvanized	3/8in	1/8 x x10	1.70	1.08	1.22	0.70	0.68	0.21
670-104HC	Galvanized	3/4in	1/4 x 12.5	2.34	1.54	1.67	0.83	1.050	0.42
670-106HC	Galvanized	1-1/4in	3/8 x 12.7	3.45	2.24	2.33	1.45	1.660	1.02
680-102HC	Black	3/8in	1/8 x 10	1.70	1.08	1.22	0.68	0.68	0.21
680-104HC	Black	3/4in	1/4 x 12.5	2.34	1.54	1.67	0.89	1.050	0.42