



SINGLE SOCKET TEE

DESCRIPTION:

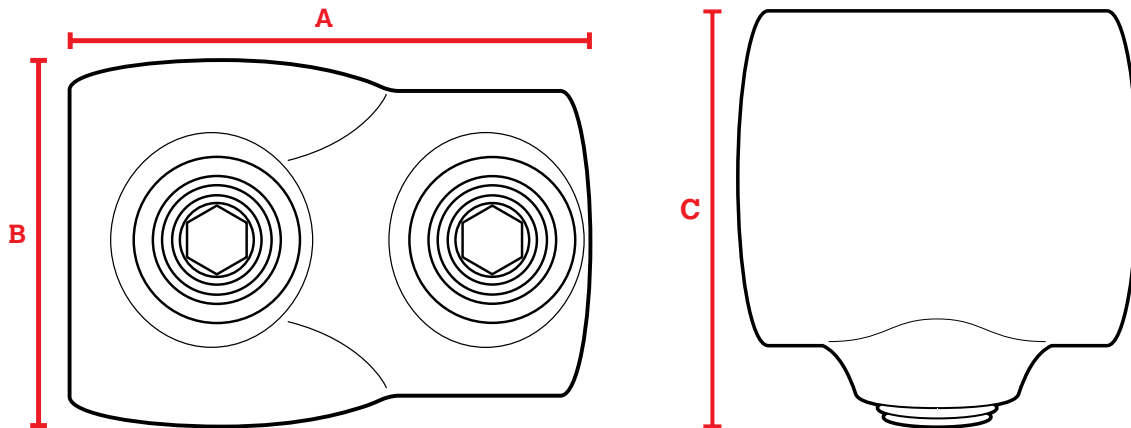
The Single Socket Tee is perfect for connecting two perpendicular pipes. This item allows projects to add an adjustable branch for new opportunities. The two included screws each tighten to a separate pipe for a secure installation but can be loosened later for adjustments.

- 670-102HC | 3/8in
- 670-104HC | 3/4in
- 670-106HC | 1-1/4in
- 680-102HC | 3/8in
- 680-104HC | 3/4in

FEATURES:

- Hot-Dipped Galvanized or Black Electroplated coating for corrosion resistance
- Iron construction for durable performance
- Easy installation and removal, no permanent connections
- No special tools needed
- Use an Allen Wrench for connections
- Able to operate in temperatures ranging from -20°C to 300°C

DIMENSIONAL DATA:



PART #	FINISH	SIZING	INSTALLATION SCREW (IN X MM)	A (Total Height)	B (Total Width)	C (Total Depth)	FITS PIPE OD (IN)	WEIGHT (LBS)
670-102HC	Galvanized	3/8in	1/8 x 10	1.70	1.08	1.22	0.68	0.21
670-104HC	Galvanized	3/4in	1/4 x 12.5	2.34	1.54	1.67	1.050	0.42
670-106HC	Galvanized	1-1/4in	3/8 x 12.7	3.45	2.24	2.33	1.660	1.02
680-102HC	Black	3/8in	1/8 x 10	1.70	1.08	1.22	0.68	0.21
680-104HC	Black	3/4in	1/4 x 12.5	2.34	1.54	1.67	1.050	0.42

CERTIFICATIONS & SAFETY:

- Materials meets ASTM A-197 Standard
- Not for Plumbing Applications
- Not for Scaffolding Applications
- Made to fit with SteelTek Pipe

California Prop 65 Warning:

This product contains chemicals including lead known to the State of California to cause cancer and birth defects or other reproductive harm. Wash hands after use.