

SIDE OUTLET TEE

CORNER SUPPORT

BASIC INFO

Number of Connections:

Three

Number of Set Screws:

Three

Finishes Available:

Black & Galvanized

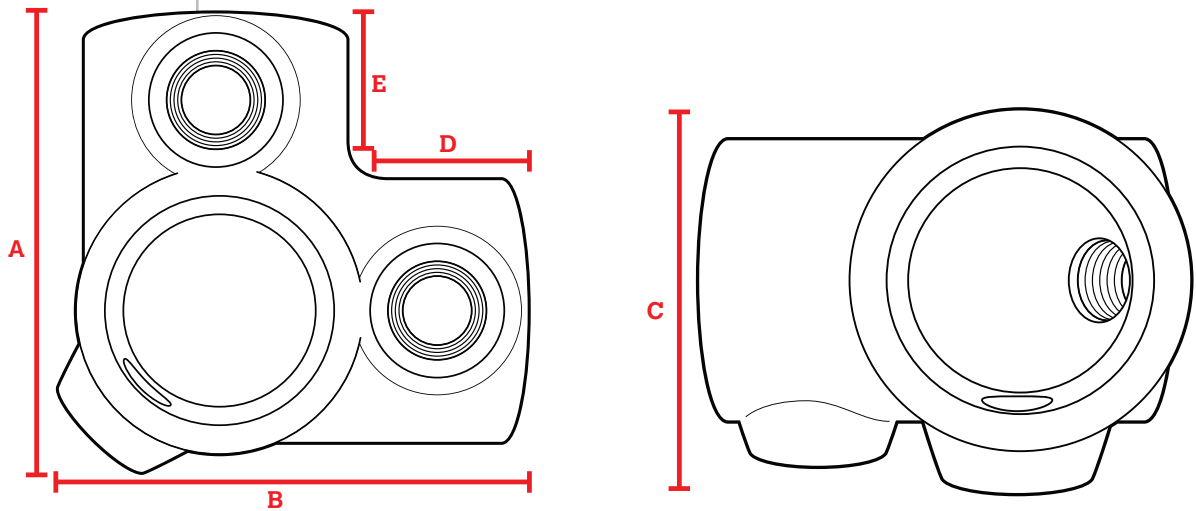
Piece Allow Movement:

No

The Side Outlet Tee is a unique fitting allowing for pipes to intersect from three directions. This fitting allows for two pipes to join in a 90-degree angle and a third pipe to run through this intersection. This fitting comes with three screws to secure each pipe to the fitting outlet.

FEATURES:

- Hot-dipped galvanized or black electrophoretic coating for corrosion resistance
- Iron construction for durable performance
- Easy installation and removal, no permanent connections
- No special tools needed
- Use an Allen Wrench for connections
- Able to operate in temperatures ranging from -20°C to 300°C



PART #	FINISH	SIZING	SET SCREW (in x mm)	A (Total Height)	B (Total Width)	C (Total Depth)	D (Insertion Depth)	E (Insertion Depth)	FITS PIPE OD (in)	WEIGHT (lbs)
671-602HC	Galvanized	3/8in	1/8 x 10	1.87	1.87	1.22	0.68	0.68	0.68	0.30
671-604HC	Galvanized	3/4in	1/4 x 12.5	2.49	2.49	1.67	0.98	0.98	1.050	0.60
671-606HC	Galvanized	1-1/4in	3/8 x 12.7	3.54	3.54	2.33	1.28	1.28	1.660	1.34
681-602HC	Black	3/8in	1/8 x 10	1.87	1.87	1.22	0.68	0.68	0.68	0.30
681-604HC	Black	3/4in	1/4 x 12.5	2.49	2.49	1.67	0.98	0.98	1.050	0.60