



SIDE OUTLET TEE

DESCRIPTION:

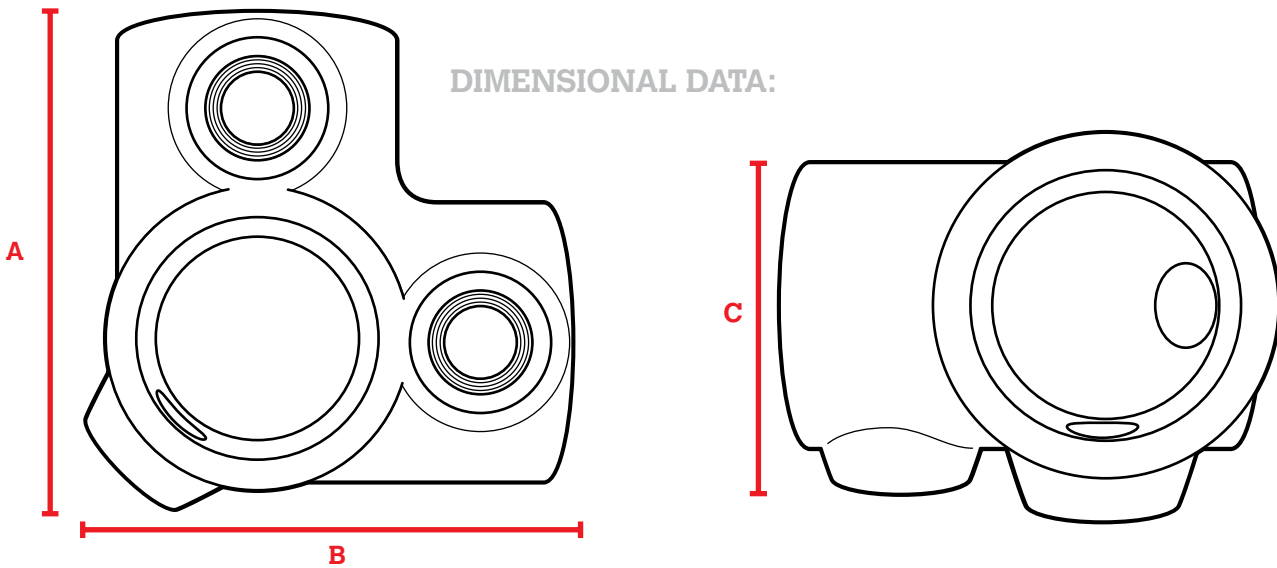
The Side Outlet Tee is a unique fitting allowing for pipes to intersect from three directions. This fitting allows for two pipes to join in a 90-degree angle and a third pipe to run through this intersection. This fitting comes with three screws to secure each pipe to the fitting outlet.

- 671-602HC | 3/8in
- 671-604HC | 3/4in
- 671-606HC | 1-1/4in
- 681-602HC | 3/8in
- 681-604HC | 3/4in

FEATURES:

- Hot-Dipped Galvanized or Black Electroplated coating for corrosion resistance
- Iron construction for durable performance
- Easy installation and removal, no permanent connections
- No special tools needed
- Use an Allen Wrench for connections
- Able to operate in temperatures ranging from -20°C to 300°C

DIMENSIONAL DATA:



PART #	FINISH	SIZING	INSTALLATION SCREW (IN X MM)	A (Total Height)	B (Total Width)	C (Total Depth)	FITS PIPE OD (IN)	WEIGHT (LBS)
671-602HC	Galvanized	3/8in	1/8 x 10	1.87	1.87	1.22	0.68	0.30
671-604HC	Galvanized	3/4in	1/4 x 12.5	2.49	2.49	1.67	1.050	0.60
671-606HC	Galvanized	1-1/4in	3/8 x 12.7	3.54	3.54	2.33	1.660	1.34
681-602HC	Black	3/8in	1/8 x 10	1.87	1.87	1.22	0.68	0.30
681-604HC	Black	3/4in	1/4 x 12.5	2.49	2.49	1.67	1.050	0.60

CERTIFICATIONS & SAFETY:

- Materials meets ASTM A-197 Standard
- Not for Plumbing Applications
- Not for Scaffolding Applications
- Made to fit with SteelTek Pipe

California Prop 65 Warning:

This product contains chemicals including lead known to the State of California to cause cancer and birth defects or other reproductive harm. Wash hands after use.