



SIDE OUTLET ELBOW

CORNER SUPPORT

BASIC INFO

Number of Connections:

Three

Number of Set Screws:

Three

Finishes Available:

Black & Galvanized

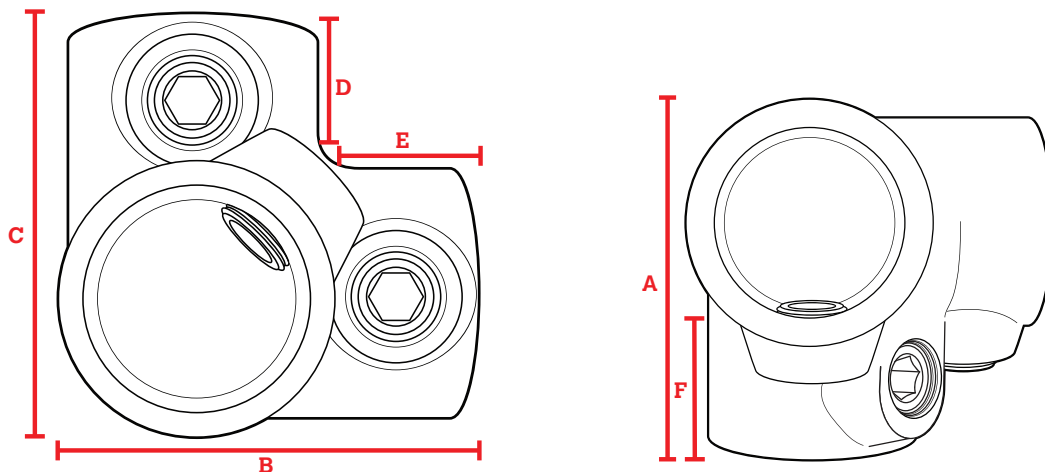
Piece Allow Movement:

No

The cornerstone of any large project needs the side outlet elbow. This fitting lets three pipes end in one point providing key stability for a large modular project. This fitting comes with three screws to secure each pipe end after insertion.

FEATURES:

- Hot-dipped galvanized or black electrophoretic coating for corrosion resistance
- Iron construction for durable performance
- Easy installation and removal, no permanent connections
- No special tools needed
- Use an Allen Wrench for connections
- Able to operate in temperatures ranging from -20°C to 300°C



PART #	FINISH	SIZING	SET SCREW (in x mm)	A (Total Height)	B (Total Width)	C (Total Depth)	D (Insertion Depth)	E (Insertion Depth)	F (Insertion Depth)	FITS PIPE OD (in)	WEIGHT (lbs)
672-802HC	Galvanized	3/8in	1/8 x 10	1.70	1.70	1.70	0.68	0.68	0.68	0.68	0.33
672-804HC	Galvanized	3/4in	1/4 x 12.5	2.17	2.17	2.17	0.83	0.83	0.83	1.050	0.77
672-806HC	Galvanized	1-1/4in	3/8 x 12.7	3.44	3.44	3.44	1.28	1.28	1.28	1.660	1.75
682-802HC	Black	3/8in	1/8 x 10	1.70	1.70	1.70	0.68	0.68	0.68	0.68	0.33
682-804HC	Black	3/4in	1/4 x 12.5	2.17	2.17	2.17	0.83	0.83	0.83	1.050	0.77