



## SIDE OUTLET ELBOW

### DESCRIPTION:

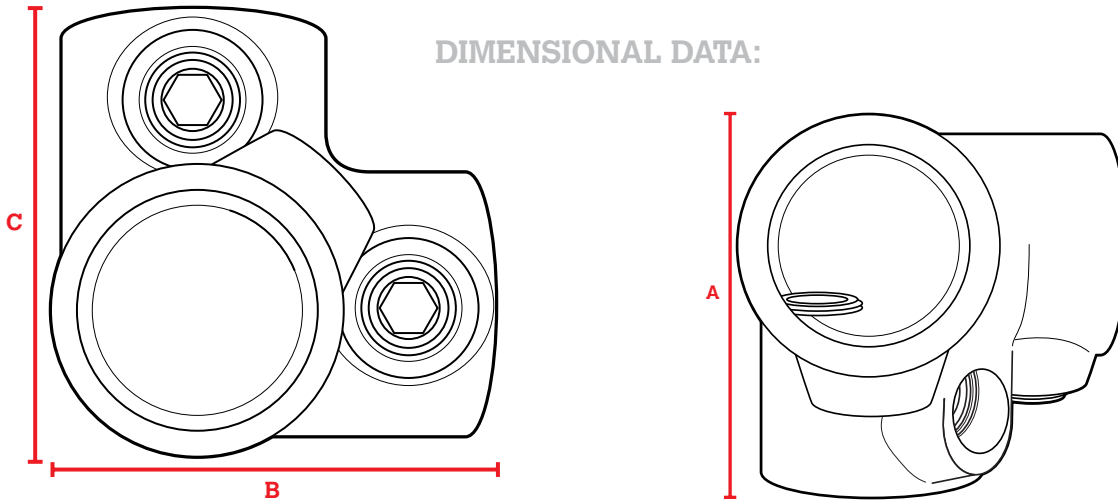
The Side Outlet Elbow lets three pipes end in one point providing key stability for a large modular project. This fitting comes with three screws to secure each pipe end after insertion.

- 672-803HC** | 3/8in
- 672-804HC** | 3/4in
- 672-806HC** | 1-1/4in
- 682-802HC** | 3/8in
- 682-804HC** | 3/4in

### FEATURES:

- Hot-Dipped Galvanized or Black Electroplated coating for corrosion resistance
- Iron construction for durable performance
- Easy installation and removal, no permanent connections
- No special tools needed
- Use an Allen Wrench for connections
- Able to operate in temperatures ranging from -20°C to 300°C

### DIMENSIONAL DATA:



PART #	FINISH	SIZING	INSTALLATION SCREW (IN X MM)	A (Total Height)	B (Total Width)	C (Depth)	FITS PIPE OD (IN)	WEIGHT (LBS)
672-802HC	Galvanized	3/8in	1/8 x 10	1.70	1.70	1.70	0.68	0.33
672-804HC	Galvanized	3/4in	1/4 x 12.5	2.17	2.17	2.17	1.050	0.77
672-806HC	Galvanized	1-1/4in	3/8 x 12.7	3.44	3.44	3.44	1.660	1.75
682-802HC	Black	3/8in	1/8 x 10	1.70	1.70	1.70	0.68	0.33
682-804HC	Black	3/4in	1/4 x 12.5	2.17	2.17	2.17	1.050	0.77

### CERTIFICATIONS & SAFETY:

- Materials meets ASTM A-197 Standard
- Not for Plumbing Applications
- Not for Scaffolding Applications
- Made to fit with SteelTek Pipe

#### California Prop 65 Warning:

This product contains chemicals including lead known to the State of California to cause cancer and birth defects or other reproductive harm. Wash hands after use.