



# RAIL SUPPORT

## RAIL SUPPORT

### BASIC INFO

**Number of Connections:**

One

**Number of Set Screws:**

One

**Finishes Available:**

Black & Galvanized

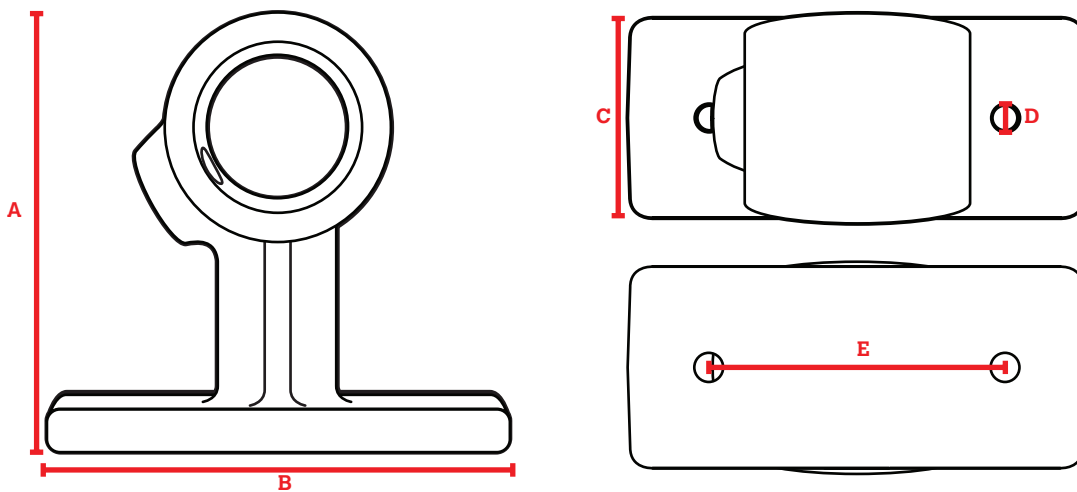
**Piece Allow Movement:**

No

Rail Support fittings give large pipe railing systems structural support. The fitting is made with a wide base including two holes for secure base connection and a hoop to run the pipe through. One screw is included with this fitting.

### FEATURES:

- Hot-dipped galvanized or black electrophoretic coating for corrosion resistance
- Iron construction for durable performance
- Easy installation and removal, no permanent connections
- No special tools needed
- Use an Allen Wrench for connections
- Able to operate in temperatures ranging from -20°C to 300°C



Part #	Finish	Sizing	SET SCREW (in x mm)	A (Total Height)	B (Total Width)	C (Total Length)	D (Hole Diameter)	E (Screw Hole Distance)	FITS PIPE OD (in)	WEIGHT (lbs)
674-302HC	Galvanized	3/8in	1/8 x 10	2.07	2.56	1.28	0.32	1.84	0.68	0.32
674-304HC	Galvanized	3/4in	1/4 x 12.5	2.92	2.99	1.73	0.31	2.38	1.050	0.65
674-306HC	Galvanized	1-1/4in	3/8 x 12.7	3.56	3.98	1.73	0.31	3.13	1.660	0.99
684-302HC	Black	3/8in	1/8 x 10	2.07	2.56	1.28	0.32	1.84	0.68	0.32
684-304HC	Black	3/4in	1/4 x 12.5	2.92	2.99	1.73	0.31	2.38	1.050	0.65