



674-506HC | 1-1/4in

## RAILING SIDE SUPPORT (H)

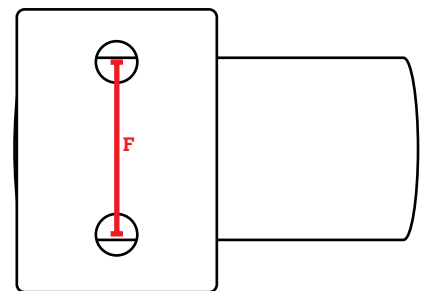
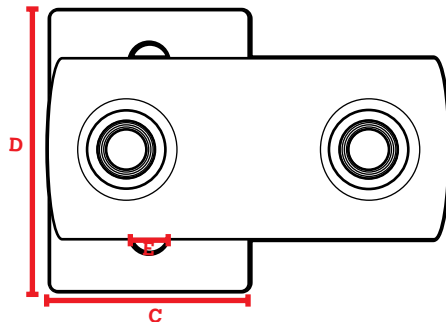
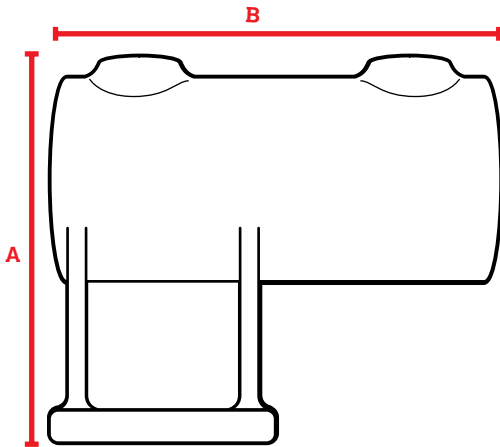
### DESCRIPTION:

The Horizontal Rail Support is an end fitting made to hold a pipe in place without letting it run through the fitting and is fashioned to secure to a horizontal surface. The fitting has a lip created to keep the pipe from running through the fitting. The base has two screw holes for to secure the fitting to the base and two screws are included for securing the pipe to the fitting.

### FEATURES:

- Hot-Dipped Galvanized coating for corrosion resistance
- Iron construction for durable performance
- Easy installation and removal, no permanent connections
- No special tools needed
- Use an Allen Wrench for connections
- Able to operate in temperatures ranging from -20°C to 300°C

### DIMENSIONAL DATA:



PART #	SIZING	INSTALLATION SCREW (IN X MM)	A (Total Height)	B (Total Width)	C (Base Width)	D (Base Length)	E (Screw Hole Diameter)	F	FITS PIPE OD (IN)	WEIGHT (LBS)
674-506HC	1-1/4in	3/8 x 12.7	3.75	4.38	2.09	4.33	0.57	2.83	1.660	2.57

### CERTIFICATIONS & SAFETY:

- Materials meets ASTM A-197 Standard
- Not for Plumbing Applications
- Not for Scaffolding Applications
- Made to fit with SteelTek Pipe

#### California Prop 65 Warning:

This product contains chemicals including lead known to the State of California to cause cancer and birth defects or other reproductive harm. Wash hands after use.