



RAIL SUPPORT

DESCRIPTION:

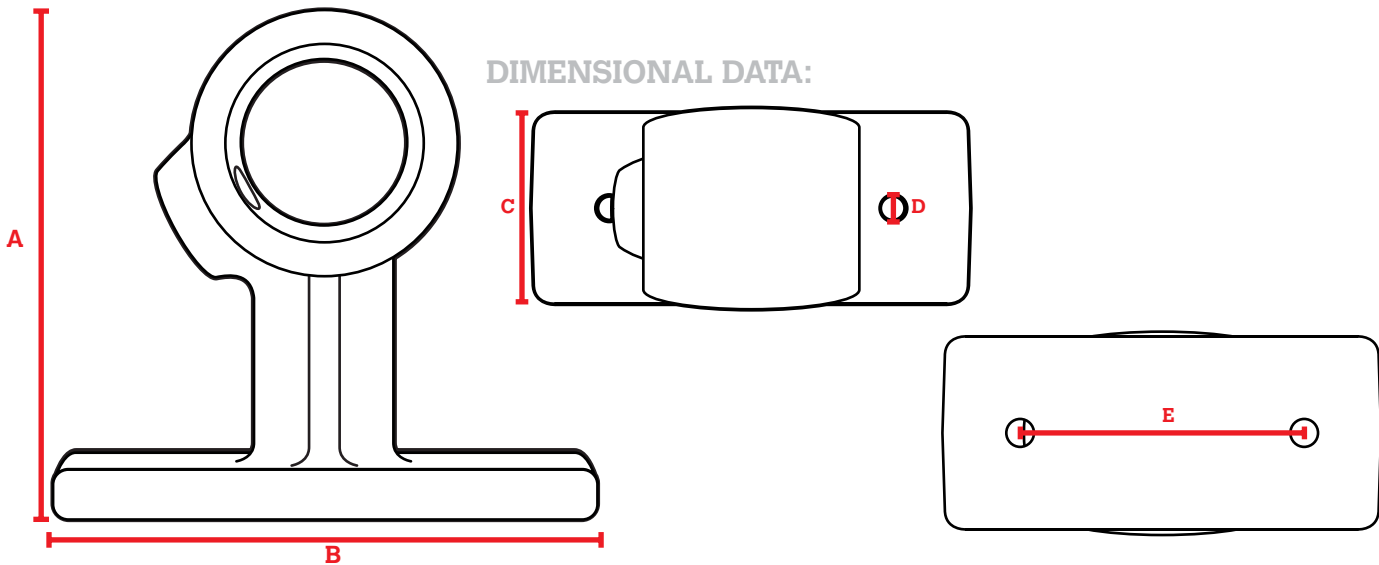
Rail Support fittings give large pipe railing systems structural support. The fitting is made with a wide base including two holes for secure base connection and a hoop to run the pipe through. One screw is included with this fitting.

674-302HC | 3/8in
 674-304HC | 3/4in
 674-306HC | 1-1/4in
 684-302HC | 3/8in
 684-304HC | 3/4in

FEATURES:

- Hot-Dipped Galvanized or Black Electroplated coating for corrosion resistance
- Iron construction for durable performance
- Easy installation and removal, no permanent connections
- No special tools needed
- Use an Allen Wrench for connections
- Able to operate in temperatures ranging from -20°C to 300°C

DIMENSIONAL DATA:



PART #	FINISH	SIZING	INSTALLATION SCREW (IN X MM)	A (Height)	B (Width)	C (Length)	D (Hole Diameter)	E	FITS PIPE OD (IN)	WEIGHT (LBS)
674-302HC	Galvanized	3/8in	1/8 x 10	2.07	2.56	1.28	0.32	1.84	0.68	0.32
674-304HC	Galvanized	3/4in	1/4 x 12.5	2.92	2.99	1.73	0.31	2.38	1.050	0.65
674-306HC	Galvanized	1-1/4in	3/8 x 12.7	3.56	3.98	1.73	0.31	3.13	1.660	0.99
684-302HC	Black	3/8in	1/8 x 10	2.07	2.56	1.28	0.32	1.84	0.68	0.32
684-304HC	Black	3/4in	1/4 x 12.5	2.92	2.99	1.73	0.31	2.38	1.050	0.65

CERTIFICATIONS & SAFETY:

- Materials meets ASTM A-197 Standard
- Not for Plumbing Applications
- Not for Scaffolding Applications
- Made to fit with SteelTek Pipe

California Prop 65 Warning:

This product contains chemicals including lead known to the State of California to cause cancer and birth defects or other reproductive harm. Wash hands after use.