

OFFSET FLANGE

SHELF/WALL SUPPORT

BASIC INFO

Number of Connections:

One

Number of Set Screws:

One

Finishes Available:

Black & Galvanized

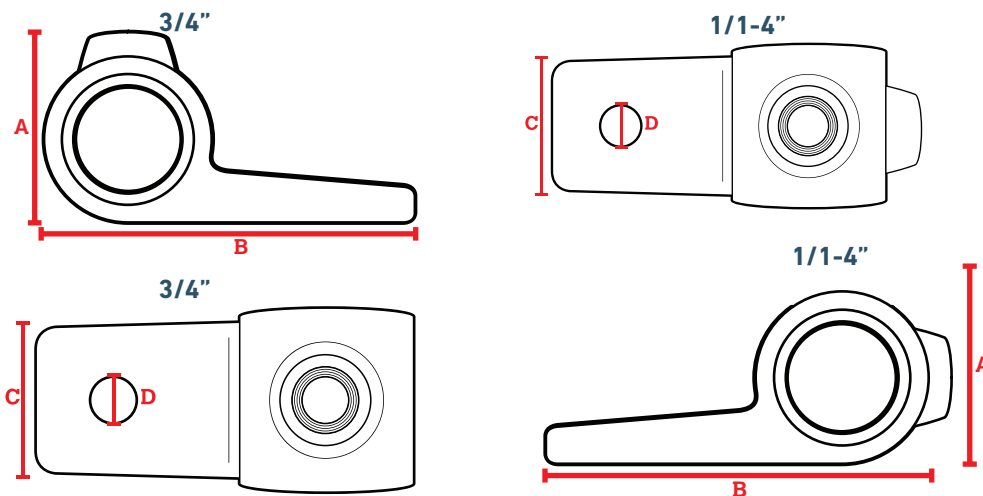
Piece Allow Movement:

No

The Offset Flange lets you secure a surface to your pipe projects. The flange slides over a pipe to attach to a solid surface, like wood, with the pre-drilled hole on the tab. The single screw is included with this fitting.

FEATURES:

- Hot-dipped galvanized or black electrophoretic coating for corrosion resistance
- Iron construction for durable performance
- Easy installation and removal, no permanent connections
- No special tools needed
- Use an Allen Wrench for connections
- Able to operate in temperatures ranging from -20°C to 300°C



Part #	Finish	Sizing	Set Screw (in x mm)	A (Total Height)	B (Total Width)	C (Base Length)	D (Screw Hole Diameter)	Fits Pipe OD (in)	Weight (lbs)
679-902HC	Galvanized	3/8in	1/8 x 10	1.17	1.80	0.74	0.31	0.68	0.13
679-904HC	Galvanized	3/4in	1/4 x 12.5	1.67	3.25	1.38	0.39	1.050	0.49
679-906HC	Galvanized	1-1/4in	3/8 x 12.7	2.21	3.81	1.30	0.41	1.660	0.64
689-902HC	Black	3/8in	1/8 x 10	1.17	1.80	0.74	0.31	0.68	0.13
689-904HC	Black	3/4in	1/4x12.5	1.67	3.25	1.38	0.39	1.050	0.49