



OFFSET FLANGE

DESCRIPTION:

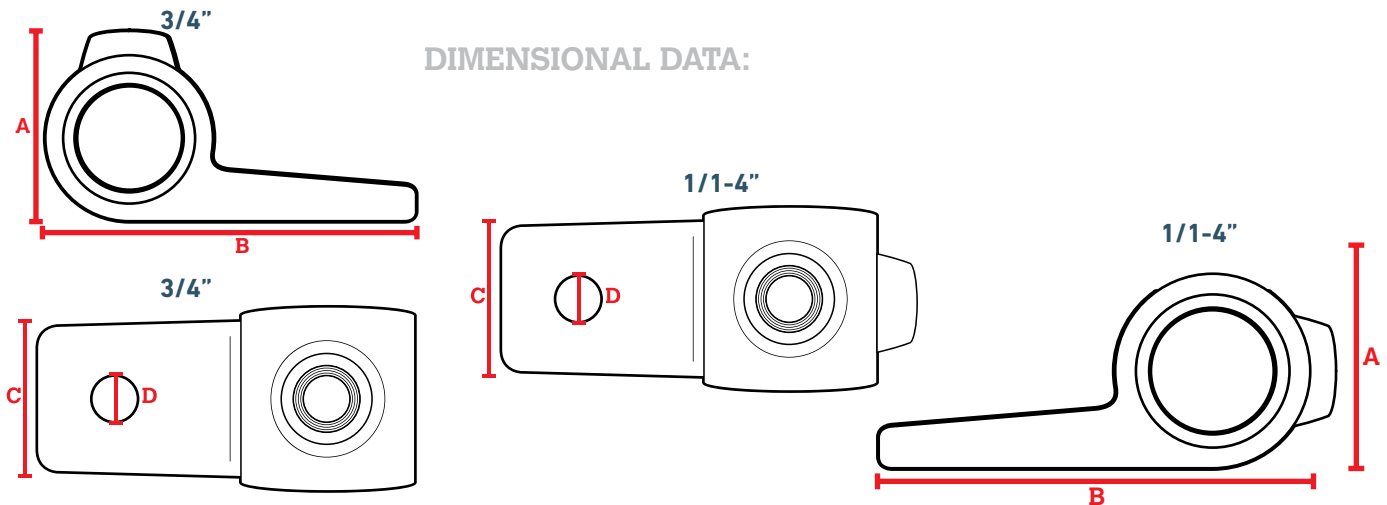
The Offset Flange lets you secure a surface to your pipe projects. The flange slides over a pipe to attach to a solid surface, like wood, with the pre-drilled hole on the tab. The single screw is included with this fitting.

679-902HC | 3/8in
 679-904HC | 3/4in
 679-906HC | 1-1/4in
 689-902HC | 3/8in
 689-904HC | 3/4in

FEATURES:

- Hot-Dipped Galvanized or Black Electroplated coating for corrosion resistance
- Iron construction for durable performance
- Easy installation and removal, no permanent connections
- No special tools needed
- Use an Allen Wrench for connections
- Able to operate in temperatures ranging from -20°C to 300°C

DIMENSIONAL DATA:



PART #	FINISH	SIZING	INSTALLATION SCREW (IN X MM)	A (Total Height)	B (Total Width)	C (Base Length)	D (Screw Hole Diameter)	FITS PIPE OD (IN)	WEIGHT (LBS)
679-902HC	Galvanized	3/8in	1/8 x 10	1.17	1.80	0.74	0.31	0.68	0.13
679-904HC	Galvanized	3/4in	1/4 x 12.5	1.67	3.25	1.38	0.39	1.050	0.49
679-906HC	Galvanized	1-1/4in	3/8 x 12.7	2.21	3.81	1.30	0.41	1.660	0.64
689-902HC	Black	3/8in	1/8 x 10	1.17	1.80	0.74	0.31	0.68	0.13
689-904HC	Black	3/4in	1/4x12.5	1.67	3.25	1.38	0.39	1.050	0.49

CERTIFICATIONS & SAFETY:

- Materials meets ASTM A-197 Standard
- Not for Plumbing Applications
- Not for Scaffolding Applications
- Made to fit with SteelTek Pipe

California Prop 65 Warning:

This product contains chemicals including lead known to the State of California to cause cancer and birth defects or other reproductive harm. Wash hands after use.