



OBTUSE ANGLE ELBOW

DESCRIPTION:

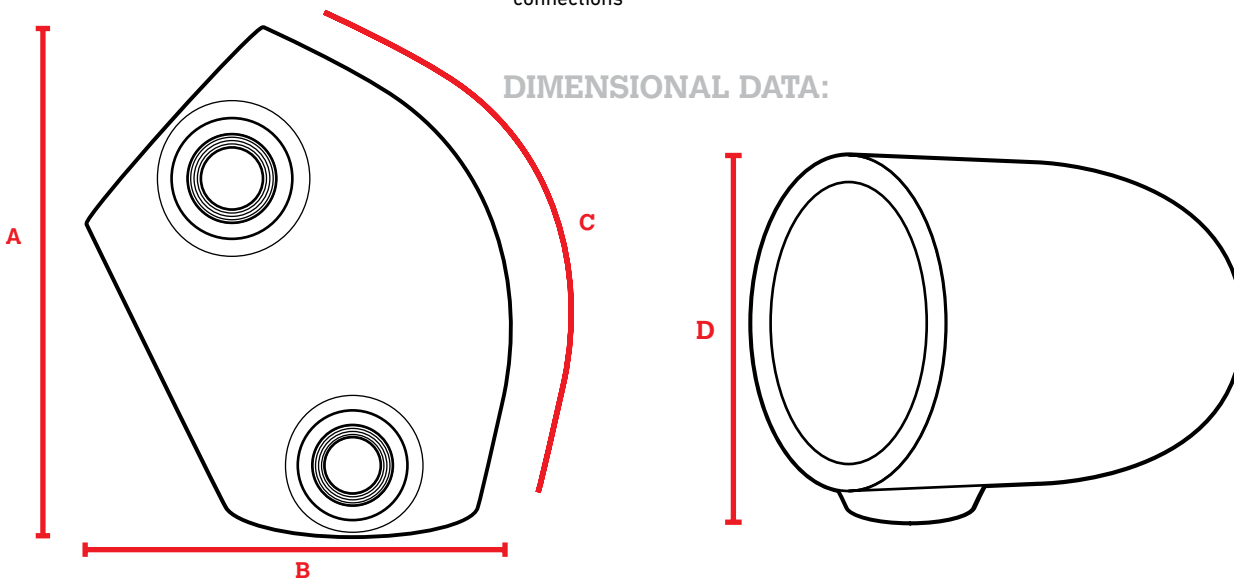
The Obtuse Angle Elbow is typically used as an alternative to bending pipe for large projects. This fitting is perfect to change pipe direction over a large area. Two screws allow for secure connections to the pipe ends that meet in the center of the fitting.

672-406HC | 1-1/4in

FEATURES:

- Hot-Dipped Galvanized coating for corrosion resistance
- Iron construction for durable performance
- Easy installation and removal, no permanent connections
- No special tools needed
- Use an Allen Wrench for connections
- Able to operate in temperatures ranging from -20°C to 300°C

DIMENSIONAL DATA:



PART #	SIZING	INSTALLATION SCREW (IN X MM)	A (Total Height)	B (Total Width)	C (Angle)	D (Depth)	FITS PIPE OD (IN)	WEIGHT (LBS)
672-406HC	1-1/4in	3/8 x 12.7	3.95	3.03	45°	2.33	1.660	1.37

CERTIFICATIONS & SAFETY:

- Materials meets ASTM A-197 Standard
- Not for Plumbing Applications
- Not for Scaffolding Applications
- Made to fit with SteelTek Pipe

California Prop 65 Warning:

This product contains chemicals including lead known to the State of California to cause cancer and birth defects or other reproductive harm. Wash hands after use.