



OBTUSE ANGLE ELBOW

CORNER SUPPORT

BASIC INFO

Number of Connections:

Two

Number of Set Screws:

Two

Finishes Available:

Galvanized

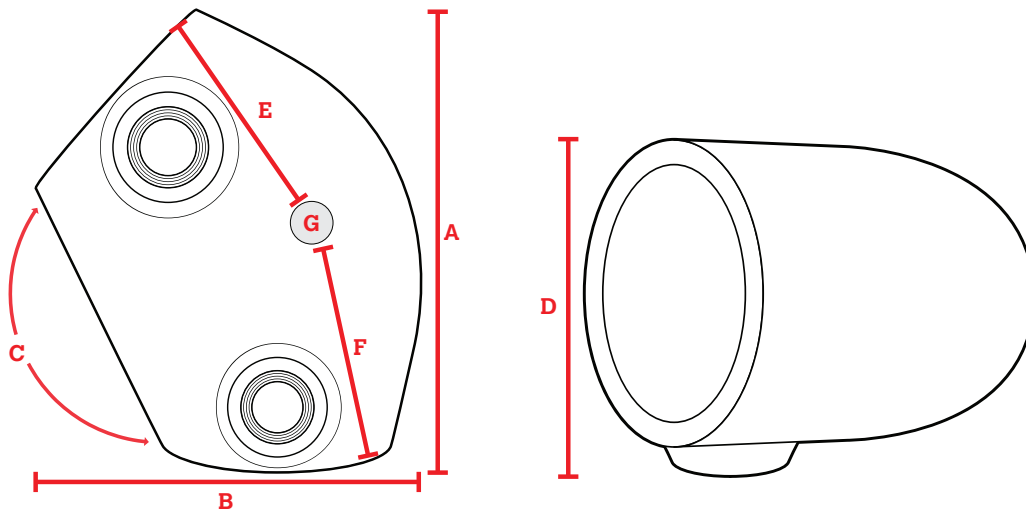
Piece Allow Movement:

No

The Obtuse Angle Elbow is typically used as an alternative to bending pipe for large projects. This fitting is perfect to change pipe direction over a large area. Two screws allow for secure connections to the pipe ends that meet in the center of the fitting.

FEATURES:

- Hot-dipped galvanized or black electrophoretic coating for corrosion resistance
- Iron construction for durable performance
- Easy installation and removal, no permanent connections
- No special tools needed
- Use an Allen Wrench for connections
- Able to operate in temperatures ranging from -20°C to 300°C



| PART # | SIZING | SET SCREW (in x mm) | A (Total Height) | B (Total Width) | C (Angle) | D (Depth) | E (Insertion Depth) | F (Insertion Depth) | G | FITS PIPE OD (in) | WEIGHT (lbs) |
|-----------|---------|------------------------|---------------------|--------------------|--------------|--------------|------------------------|------------------------|---------|----------------------|-----------------|
| 672-406HC | 1-1/4in | 3/8 x 12.7 | 3.95 | 3.03 | 45° | 2.33 | 1.76 | 1.75 | Stopper | 1.660 | 1.37 |