



INTERNAL SWIVEL TEE

TOP/UPRIGHT SUPPORT

BASIC INFO

Number of Connections:

Two

Number of Set Screws:

One

Finishes Available:

Galvanized

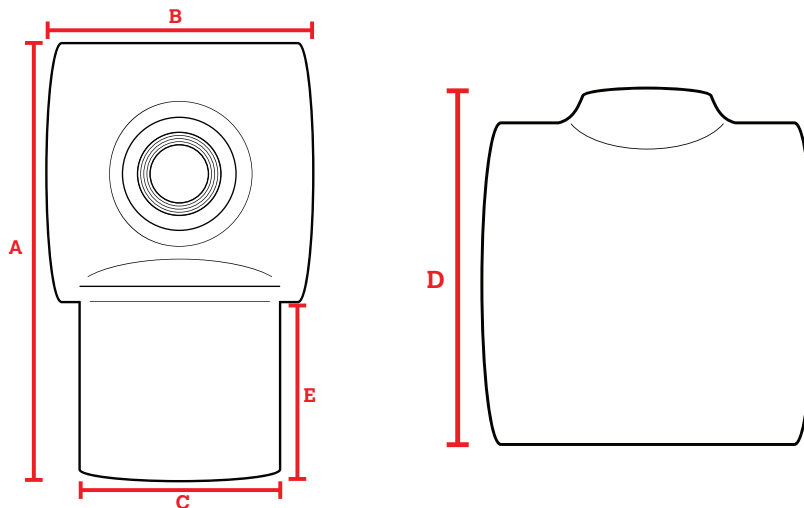
Piece Allow Movement:

Yes

The Internal Swivel Tee is made to work with other fittings to create a swivel motion. The base of the Tee is more narrow than the other end and is made to insert to other fitting openings. The top of the fitting allows a pipe to flow through the fitting and comes with one screw to secure the two together.

FEATURES:

- Hot-dipped galvanized coating for corrosion resistance
- Iron construction for durable performance
- Easy installation and removal, no permanent connections
- No special tools needed
- Use an Allen Wrench for connections
- Able to operate in temperatures ranging from -20°C to 300°C



| Part # | Finish | Sizing | Set Screw (in x mm) | A (Total Height) | B (Total Width) | C (Total Diameter) | D (Depth) | E (Insertion Depth) | Fits Pipe OD (in) | Weight (lbs) |
|-----------|------------|---------|------------------------|---------------------|--------------------|-----------------------|--------------|------------------------|-------------------------|-----------------|
| 674-706HC | Galvanized | 1-1/4in | 3/8 x 12.7 | 3.56 | 2.05 | 1.65 | 2.33 | 1.4 | 1.660 | 0.95 |