



GROUND SOCKET

DESCRIPTION:

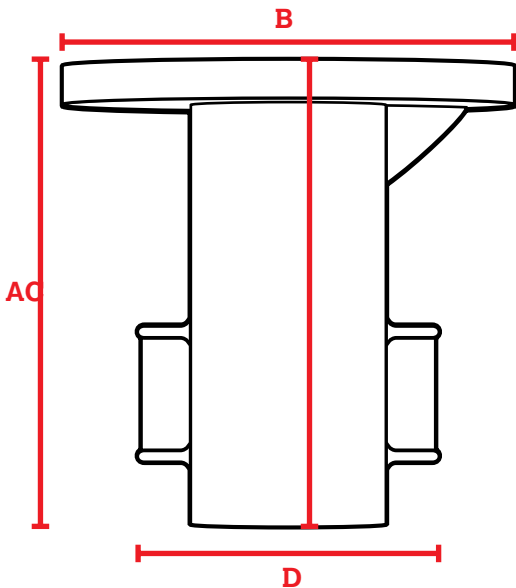
The Ground Socket is used for a permanent ground connection and made to be buried in the ground or set in concrete for a secure base that won't move. If the Ground Socket is not in use, fill the pipe hole with a 1-1/4 Plug to cover the opening.

673-406HC | 1-1/4in

FEATURES:

- Hot-Dipped Galvanized coating for corrosion resistance
- Iron construction for durable performance
- Easy installation and removal, no permanent connections
- No special tools needed
- Use an Allen Wrench for connections
- Able to operate in temperatures ranging from -20°C to 300°C

DIMENSIONAL DATA:



PART #	SIZING	INSTALLATION SCREW (IN X MM)	A (Height)	B (Width)	C (Depth)	D	FITS PIPE OD (IN)	WEIGHT (LBS)
673-406HC	1-1/4in	3/8 x 24	5.31	5.47	4.92	3.5	1.660	5.43

CERTIFICATIONS & SAFETY:

- Materials meets ASTM A-197 Standard
- Not for Plumbing Applications
- Not for Scaffolding Applications
- Made to fit with SteelTek Pipe

California Prop 65 Warning:

This product contains chemicals including lead known to the State of California to cause cancer and birth defects or other reproductive harm. Wash hands after use.