



GATE PIN

GATE SUPPORT

BASIC INFO

Number of Connections:

One

Number of Set Screws:

One

Finishes Available:

Black & Galvanized

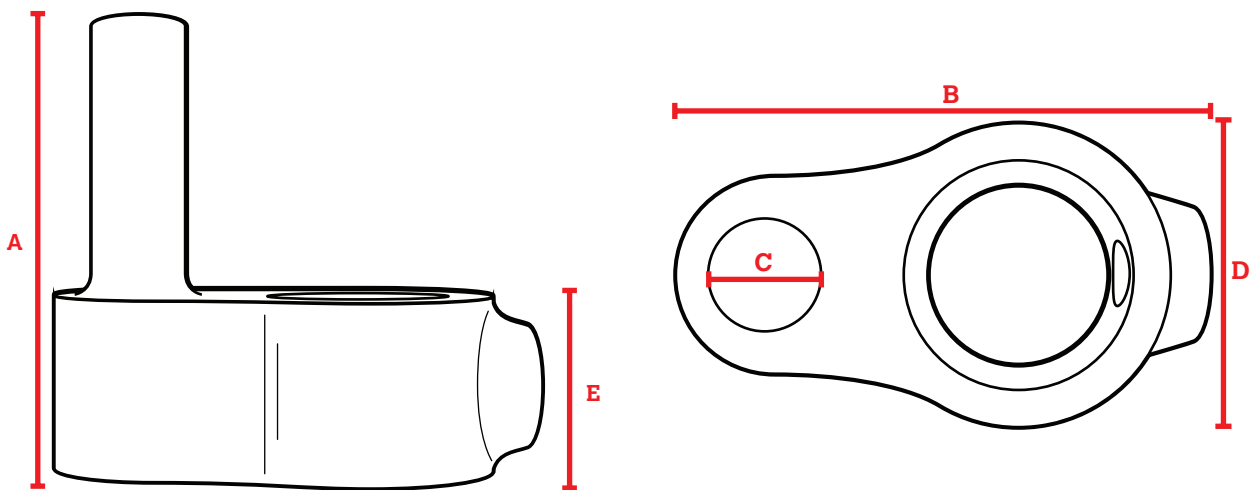
Piece Allow Movement:

Yes

The Gate Pin is designed to work with the Gate Eye to create a swivel motion. The Gate Pin fits securely around the pipe and has a raised pin designed to fit into the receiving point on the Gate Eye creating a working hinge from two fittings. This fitting comes with one screw.

FEATURES:

- Hot-dipped galvanized or black electrophoretic coating for corrosion resistance
- Iron construction for durable performance
- Easy installation and removal, no permanent connections
- No special tools needed
- Use an Allen Wrench for connections
- Able to operate in temperatures ranging from -20°C to 300°C



| PART # | FINISH | SIZING | SET SCREW (in x mm) | A (Total Height) | B (Total Width) | C (Pin Diameter) | D (Total Depth) | E (Insertion Height) | FITS PIPE OD (in) | WEIGHT (lbs) |
|-----------|------------|---------|------------------------|---------------------|--------------------|---------------------|--------------------|-------------------------|-------------------|--------------|
| 674-004HC | Galvanized | 3/4in | 1/4 x 12.5 | 2.48 | 2.66 | 0.50 | 1.50 | 1.03 | 1.050 | 0.53 |
| 674-006HC | Galvanized | 1-1/4in | 3/8 x 12.7 | 2.48 | 3.24 | 0.47 | 2.15 | 1 | 1.660 | 0.65 |
| 684-004HC | Black | 3/4in | 1/4 x 12.5 | 2.48 | 2.66 | 0.50 | 1.50 | 1.03 | 1.050 | 0.53 |