



GATE EYE

GATE SUPPORT

BASIC INFO

Number of Connections:

One

Number of Set Screws:

One

Finishes Available:

Black & Galvanized

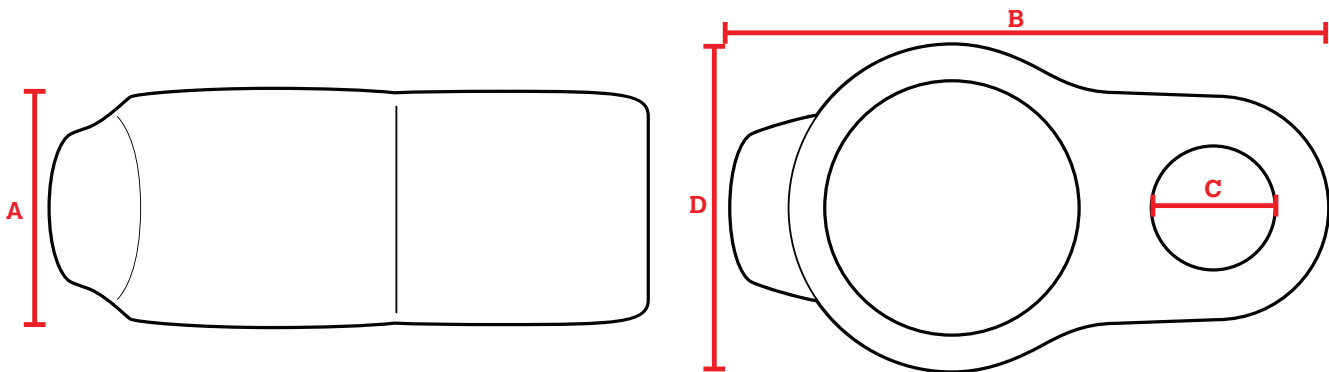
Piece Allow Movement:

Yes

The Gate Eye is designed to work with the Gate Pin to create a unique fitting allowing for motion. Ideally used as part of a hinge system, the Gate Eye fits securely around the pipe to create a secure base for the swiveling motion to occur. One screw is included with this fitting.

FEATURES:

- Hot-dipped galvanized or black electrophoretic coating for corrosion resistance
- Iron construction for durable performance
- Easy installation and removal, no permanent connections
- No special tools needed
- Use an Allen Wrench for connections
- Able to operate in temperatures ranging from -20°C to 300°C



PART #	FINISH	SIZING	SET SCREW (in x mm)	A (Total Height)	B (Total Width)	C (Pin Hole Diameter)	D (Total Depth)	FITS PIPE OD (in)	WEIGHT (lbs)
673-804HC	Galvanized	3/4in	1/4 x 12.5	0.98	2.61	0.55	1.46	1.050	0.25
673-806HC	Galvanized	1-1/4in	3/8 x 12.7	0.98	3.24	0.55	2.15	1.660	0.46
683-804HC	Black	3/4	1/4 x 12.5	0.98	2.61	0.55	1.46	1.050	0.25