



# FOUR SOCKET CROSS

## MIDDLE SUPPORT

### BASIC INFO

**Number of Connections:**

Five

**Number of Set Screws:**

Six

**Finishes Available:**

Black & Galvanized

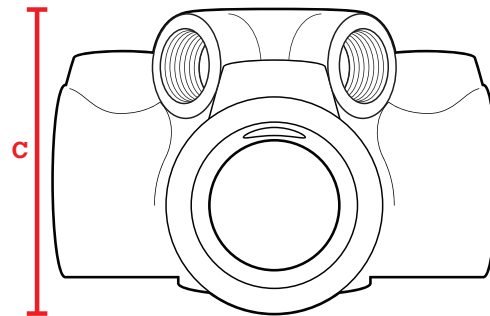
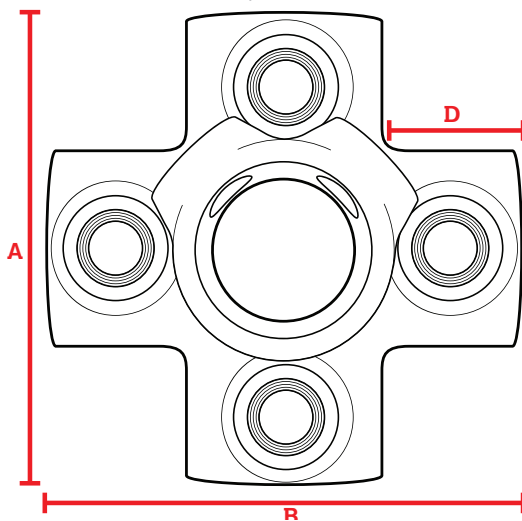
**Piece Allow Movement:**

No

The Four Socket Cross allows pipes to be joined together from four directions. The central opening allows a pipe to follow through the opening with the other openings let pipe ends be secured next to the central pipe. Each pipe is secured to the fitting by one screw which is included with the fitting.

### FEATURES:

- Hot-dipped galvanized or black electroplated coating for corrosion resistance
- Iron construction for durable performance
- Easy installation and removal, no permanent connections
- No special tools needed
- Use an Allen Wrench for connections
- Able to operate in temperatures ranging from -20°C to 300°C



Part #	Finish	Sizing	Set Screw (In x mm)	A (Total Height)	B (Total Width)	C (Total Length)	D (Insertion Depth)	Fits Pipe OD (in)	Weight (lbs)
675-804HC	Galvanized	3/4in	1/4 x 12.5	3.23	3.23	1.67	0.88	1.050	0.95
675-806HC	Galvanized	1-1/4in	3/8 x 12.7	4.72	4.72	2.33	1.27	1.660	2.70
685-804HC	Black	3/4in	1/4 x 12.5	3.23	3.23	1.67	0.88	1.050	0.95