

FLOOR FLANGE

BASE SUPPORT

BASIC INFO

Number of Connections:

One

Number of Set Screws:

One

Finishes Available:

Black & Galvanized

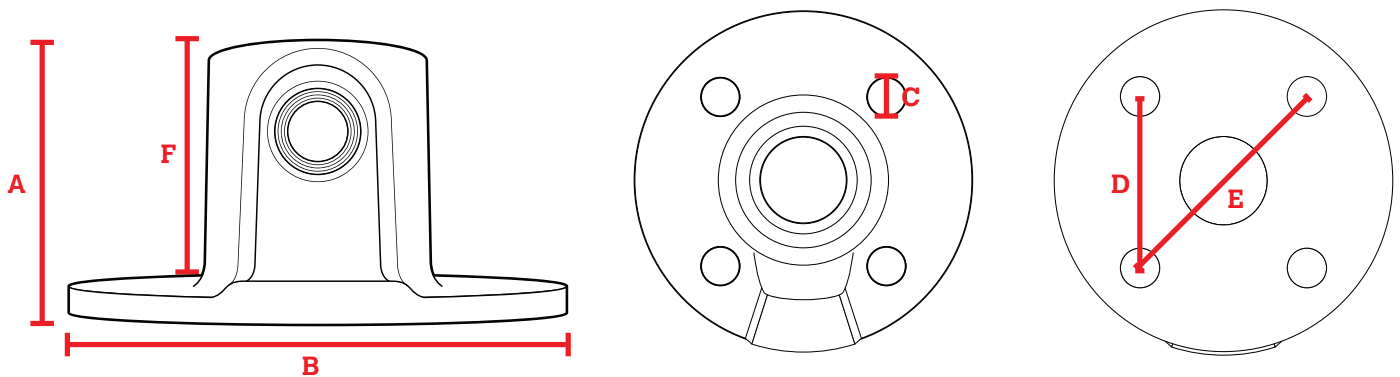
Piece Allow Movement:

No

Every project needs a strong base, and the strongest is the flange. The flange lets a pipe slide into the base of the fitting for maximum support. The flange comes with four holes for the base to be screwed into place for a solid constructed project.

FEATURES:

- Hot-dipped galvanized or black electrophoretic coating for corrosion resistance
- Iron construction for durable performance
- Easy installation and removal, no permanent connections
- No special tools needed
- Use an Allen Wrench for connections
- Able to operate in temperatures ranging from -20°C to 300°C



PART #	FINISH	SIZING	SET SCREW (in x mm)	A (Total Height)	B (Total Width)	C (Screw Hole Diameter)	D (Hole Distance)	E (Diagonal Hole Distance)	F (Insertion Depth)	FITS PIPE OD (in)	WEIGHT (lbs)
673-102HC	Galvanized	3/8in	1/8 x 10	1.30	2.76	0.26	1.31	1.85	1	0.67	0.52
673-104HC	Galvanized	3/4in	1/4 x 12.5	1.65	3.27	0.31	1.59	2.24	1.5	1.050	0.63
673-106HC	Galvanized	1-1/4in	3/8 x 12.7	1.97	4.02	0.31	2.11	2.99	1.67	1.660	1.36
683-102HC	Black	3/8in	1/8 x 10	1.30	2.76	0.26	1.31	1.85	1	0.68	0.52
683-104HC	Black	3/4in	1/4 x 12.5	1.65	3.27	0.31	1.59	2.24	1.5	1.050	0.63