



# COMBINATION SOCKET

## TOP/END SUPPORT

### BASIC INFO

**Number of Connections:**

Three

**Number of Set Screws:**

Three

**Finishes Available:**

Black & Galvanized

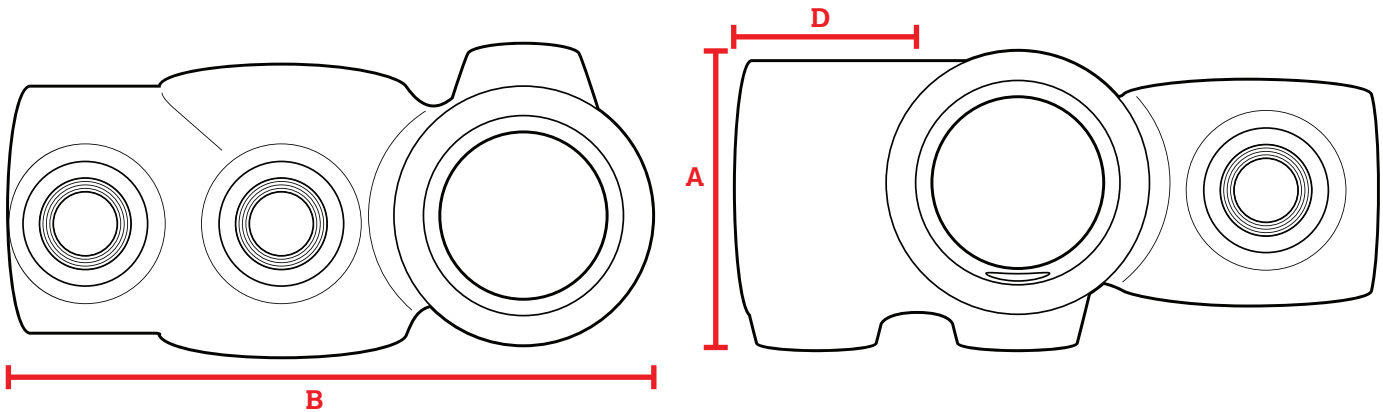
**Piece Allow Movement:**

No

The Combination Socket allows for three pipes to meet: two that cross by each other and a third that meets at the end. Each pipe is secured by one screw that is included with the fitting. The Combination Socket can be used in a horizontal or vertical format.

### FEATURES:

- Hot-dipped galvanized or black electrophoretic coating for corrosion resistance
- Iron construction for durable performance
- Easy installation and removal, no permanent connections
- No special tools needed
- Use an Allen Wrench for connections
- Able to operate in temperatures ranging from -20°C to 300°C



Part #	Finish	Sizing	Set Screw (in x mm)	A (Total Height)	B (Total Width)	C (Total Depth)	D (Insertion Depth)	Fits Pipe OD (in)	Weight (lbs)
676-504HC	Galvanized	3/4in	1/4 x 12.5	1.46	3.31	1.67	0.9	1.050	0.61
676-506HC	Galvanized	1-1/4in	3/8 x 12.7	2.17	5.45	2.33	1.27	1.660	1.45
686-504HC	Black	3/4in	1/4 x 12.5	1.46	3.31	1.67	0.9	1.050	0.61