



## COMBINATION SOCKET

### DESCRIPTION:

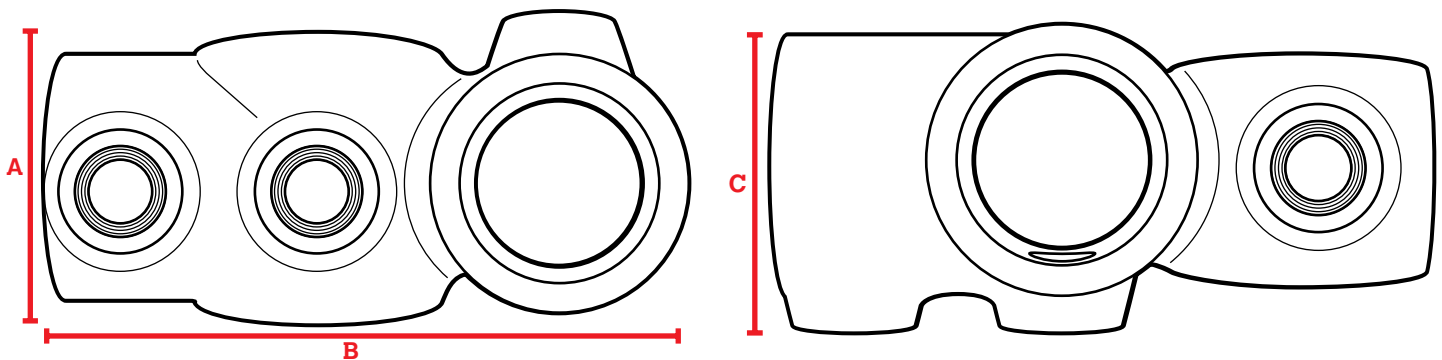
The Combination Socket allows for three pipes to meet: two that cross by each other and a third that meets at the end. Each pipe is secured by one screw that is included with the fitting. The Combination Socket can be used in a horizontal or vertical format.

**676-504HC** | 3/4in  
**676-506HC** | 1-1/4in  
**686-504HC** | 3/4in

### FEATURES:

- Hot-Dipped Galvanized or Black Ectrophoretic coating for corrosion resistance
- Iron construction for durable performance
- Easy installation and removal, no permanent connections
- No special tools needed
- Use an Allen Wrench for connections
- Able to operate in temperatures ranging from -20°C to 300°C

### DIMENSIONAL DATA:



PART #	FINISH	SIZING	INSTALLATION SCREW (IN X MM)	A (Total Height)	B (Total Width)	C (Depth)	FITS PIPE OD (IN)	WEIGHT (LBS)
676-504HC	Galvanized	3/4in	1/4 x 12.5	1.46	3.31	1.67	1.050	0.61
676-506HC	Galvanized	1-1/4in	3/8 x 12.7	2.17	5.45	2.33	1.660	1.45
686-504HC	Black	3/4in	1/4 x 12.5	1.46	3.31	1.67	1.050	0.61

### CERTIFICATIONS & SAFETY:

- Materials meets ASTM A-197 Standard
- Not for Plumbing Applications
- Not for Scaffolding Applications
- Made to fit with SteelTek Pipe

#### California Prop 65 Warning:

This product contains chemicals including lead known to the State of California to cause cancer and birth defects or other reproductive harm. Wash hands after use.