



ANGLE FLANGE

BASE SUPPORT

BASIC INFO

Number of Connections:

One

Number of Set Screws:

Two

Finishes Available:

Galvanized

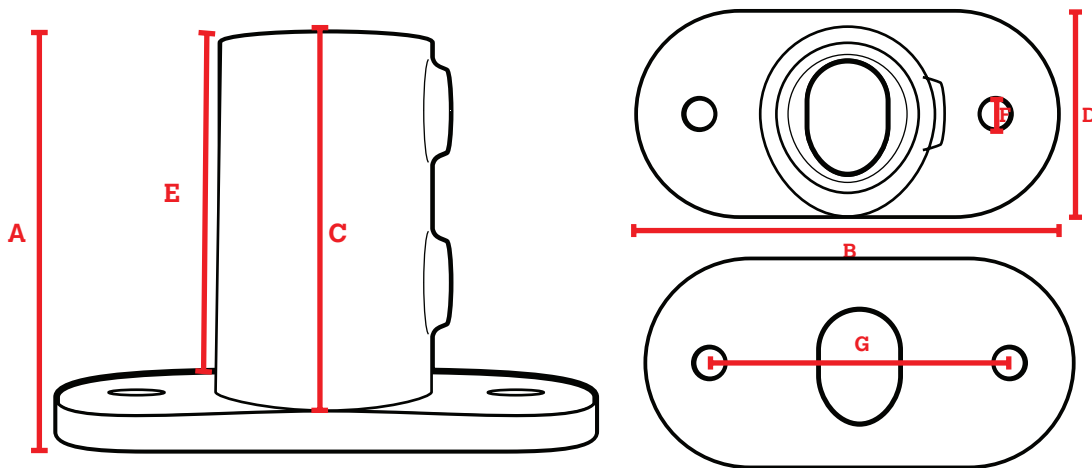
Piece Allow Movement:

No

An Angle Flange is a base that allows the pipe to point at an angle from the base. Two screws are used to secure the base and pipe together for a firm connection. The base has two pre-drilled holes to allow for screws to secure the fitting to the surface of the project.

FEATURES:

- Hot-dipped galvanized coating for corrosion resistance
- Iron construction for durable performance
- Easy installation and removal, no permanent connections
- No special tools needed
- Use an Allen Wrench for connections
- Able to operate in temperatures ranging from -20°C to 300°C



Part #	Finish	Sizing	Set Screw (in x mm)	A (Total Height)	B (Total Width)	C (Insertion Depth)	D (Base Length)	E (Angle)	F (Screw Hole Diameter)	G (Screw Hole Distance)	Fits Pipe OD (in)	Weight (lbs)
675-206HC	Galvanized	1-1/4in	3/8 x 12.7	3.86	5.51	3.46	3.54	3°-11°	0.57	3.98	1.660	2.34