



ADJUSTABLE SIDE OUTLET

CORNER SUPPORT

BASIC INFO

Number of Connections:

Two

Number of Set Screws:

Two

Finishes Available:

Black & Galvanized

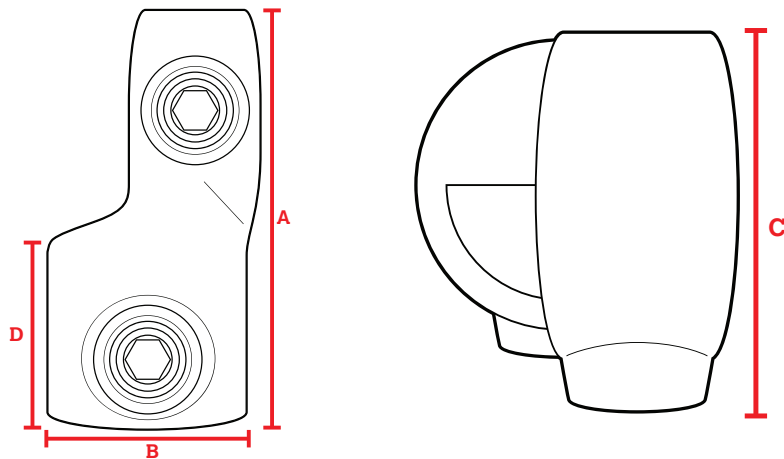
Piece Allow Movement:

Yes

The Adjustable Side Outlet Tee is made to work in pairs. The pipe inserts into the base of the fitting and is secured with one screw. The top is a half-fitting with a screw that fits with another Adjustable Side Outlet Tee to allow for motion in your project. The half-fitting has a point for a screw to secure to the pipe that joins both fittings together.

FEATURES:

- Hot-dipped galvanized or Black electrophoretic coating for corrosion resistance
- Iron construction for durable performance
- Easy installation and removal, no permanent connections
- No special tools needed
- Use an Allen Wrench for connections
- Able to operate in temperatures ranging from -20°C to 300°C



PART #	FINISH	SIZING	Set Screw (in x mm)	A (Total Height)	B (Total Width)	C (Total Depth)	D (Insertion Depth)	Fits Pipe OD (in)	Weight (lbs)
674-804HC	Galvanized	3/4in	1/4 x 12.5	2.81	1.46	1.67	1.28	1.050	0.39
674-806HC	Galvanized	1-1/4in	3/8 x 12.7	3.96	2.17	2.33	1.57	1.660	0.92
684-804HC	Black	3/4in	1/4 x 12.5	2.81	1.46	1.67	1.28	1.050	0.39