



ADJUSTABLE SIDE OUTLET

DESCRIPTION:

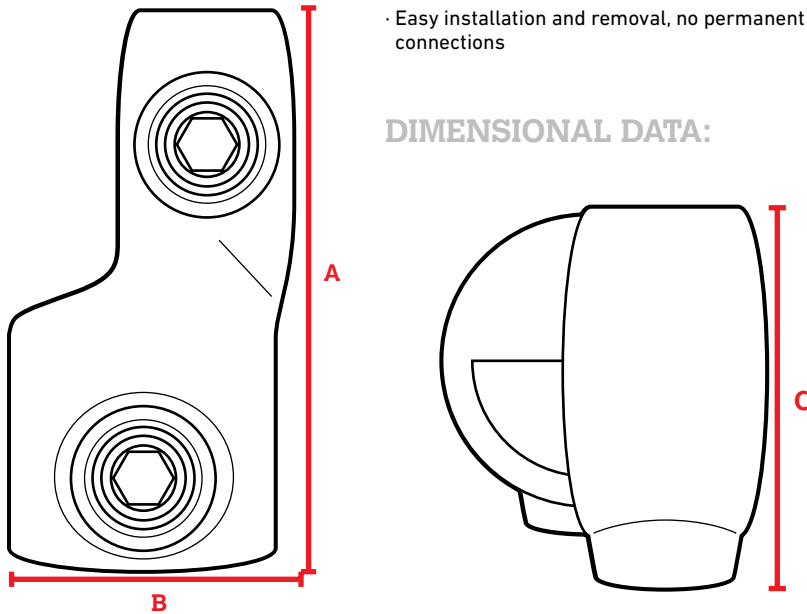
The Adjustable Side Outlet Tee is made to work in pairs. The pipe inserts into the base of the fitting and is secured with one screw. The top is a half-fitting with a screw that fits with another Adjustable Side Outlet Tee to allow for motion in your project. The half-fitting has a point for a screw to secure to the pipe that joins both fittings together.

674-804HC | 3/4in
674-806HC | 1-1/4in
684-804HC | 3/4in

FEATURES:

- Hot-Dipped Galvanized or Black Electroplated coating for corrosion resistance
- Iron construction for durable performance
- Easy installation and removal, no permanent connections
- No special tools needed
- Use an Allen Wrench for connections
- Able to operate in temperatures ranging from -20°C to 300°C

DIMENSIONAL DATA:



PART #	FINISH	SIZING	INSTALLATION SCREW (IN X MM)	A (Total Height)	B (Total Width)	C (Depth)	FITS PIPE OD (IN)	WEIGHT (LBS)
674-804HC	Galvanized	3/4in	1/4 x 12.5	2.81	1.46	1.67	1.050	0.39
674-806HC	Galvanized	1-1/4in	3/8 x 12.7	3.96	2.17	2.33	1.660	0.92
684-804HC	Black	3/4in	1/4 x 12.5	2.81	1.46	1.67	1.050	0.39

CERTIFICATIONS & SAFETY:

- Materials meets ASTM A-197 Standard
- Not for Plumbing Applications
- Not for Scaffolding Applications
- Made to fit with SteelTek Pipe

California Prop 65 Warning:

This product contains chemicals including lead known to the State of California to cause cancer and birth defects or other reproductive harm. Wash hands after use.