



90° ELBOW

CORNER SUPPORT

BASIC INFO

Number of Connections:

Two

Number of Set Screws:

Two

Finishes Available:

Black & Galvanized

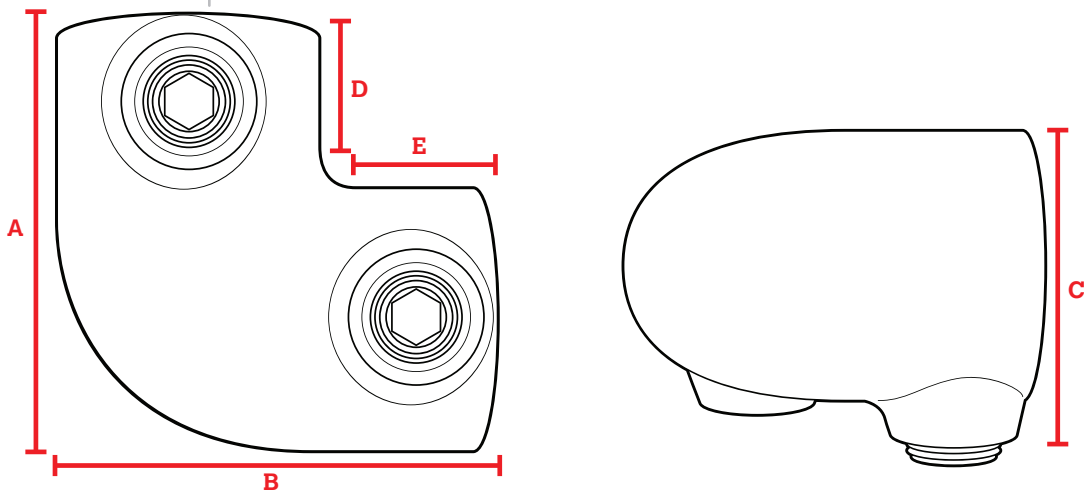
Piece Allow Movement:

No

The 90° Elbow has a variety of uses but its primary use is to change the direction of two pipes to a 90° angle. Two screws are included with the fitting. Each end of the fitting allows for a pipe end to be inserted to meet the opposite pipe end.

FEATURES:

- Hot-dipped galvanized or black electrophoretic coating for corrosion resistance
- Iron construction for durable performance
- Easy installation and removal, no permanent connections
- No special tools needed
- Use an Allen Wrench for connections
- Able to operate in temperatures ranging from -20°C to 300°C



PART #	FINISH	SIZING	SET SCREW (in x mm)	A (Total Height)	B (Total Width)	C (Total Depth)	D (Insertion Depth)	E (Insertion Depth)	FITS PIPE OD (in)	WEIGHT (lbs)
672-502HC	Galvanized	3/8in	1/8 x 10	1.69	1.69	1.19	0.69	0.69	0.68	0.26
672-504HC	Galvanized	3/4in	1/4 x 12.5	2.34	2.34	1.67	0.98	0.98	1.050	0.52
672-506HC	Galvanized	1-1/4in	3/8 x 12.7	3.44	3.44	2.33	1.28	1.28	1.660	1.31
682-502HC	Black	3/8in	1/8 x 10	1.69	1.69	1.19	0.69	0.69	0.68	0.26
682-504HC	Black	3/4in	1/4 x 12.5	2.34	2.34	1.67	0.98	0.98	1.050	0.52