



90° CORNER SWIVEL COMBINATION

CORNER SUPPORT

BASIC INFO

Number of Connections:

Three

Number of Set Screws:

Three

Finishes Available:

Galvanized

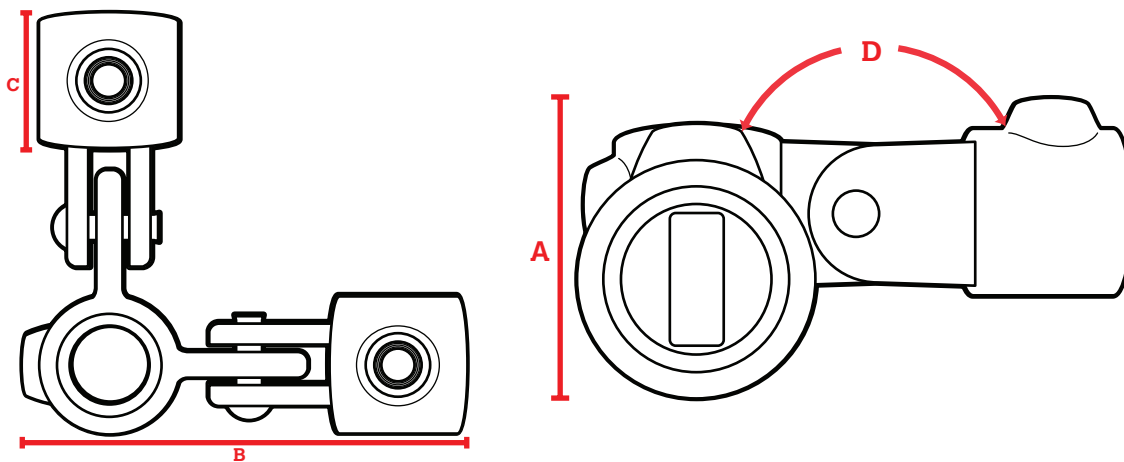
Piece Allow Movement:

Yes

The Corner Swivel Combo is just like the Double Swivel Socket except that the swivel points form a 90° angle allowing for adjustable angling of your end pipes. The central fitting point lets the pipe run through it and the swivel points lets pipe ends connect with the ability to adjust the angle. Each connection point on the fitting comes with a screw.

FEATURES:

- Hot-dipped galvanized coating for corrosion resistance
- Iron construction for durable performance
- Easy installation and removal, no permanent connections
- No special tools needed
- Use an Allen Wrench for connections
- Able to operate in temperatures ranging from -20°C to 300°C



Part #	Finish	Sizing	Set Screw (in x mm)	A (Total Height)	B (Total Width)	C (Insertion Depth)	D (Angle)	Fits Pipe OD (in)	Weight (lbs)
676-804HC	Galvanized	3/4in	1/4 x 12.5	1.67	4.86	1.18	180°	1.050	1.46
676-806HC	Galvanized	1-1/4in	3/8 x 12.7	2.33	4.98	1.50	160°	1.660	2.61