

90° CORNER SWIVEL COMBINATION



676-804HC | 3/4in
676-806HC | 1-1/4in

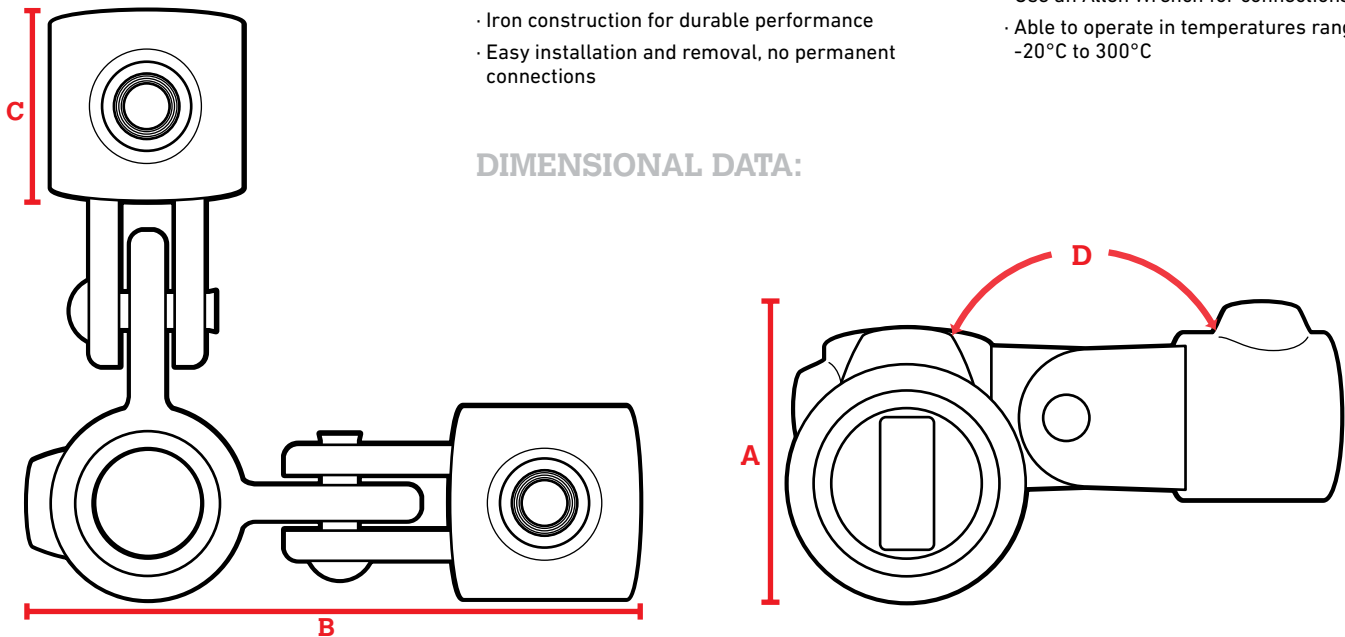
DESCRIPTION:

The Corner Swivel Combo is just like the Double Swivel Socket except that the swivel points form a 90-degree angle allowing for adjustable angling of your end pipes. The central fitting point lets the pipe run through it and the swivel points lets pipe ends connect with the ability to adjust the angle. Each connection point on the fitting comes with a screw.

FEATURES:

- Hot-Dipped Galvanized coating for corrosion resistance
- Iron construction for durable performance
- Easy installation and removal, no permanent connections
- No special tools needed
- Use an Allen Wrench for connections
- Able to operate in temperatures ranging from -20°C to 300°C

DIMENSIONAL DATA:



PART #	SIZING	INSTALLATION SCREW (IN X MM)	A (Total Height)	B (Total Width)	C (Insert Depth)	D (Angle)	FITS PIPE OD (IN)	WEIGHT (LBS)
676-804HC	3/4in	1/4 x 12.5	1.67	4.86	1.18	180°	1.050	1.46
676-806HC	1-1/4in	3/8 x 12.7	2.33	4.98	1.50	160°	1.660	2.61

CERTIFICATIONS & SAFETY:

- Materials meets ASTM A-197 Standard
- Not for Plumbing Applications
- Not for Scaffolding Applications
- Made to fit with SteelTek Pipe

California Prop 65 Warning:

This product contains chemicals including lead known to the State of California to cause cancer and birth defects or other reproductive harm. Wash hands after use.