



30° - 45° ADJUSTABLE TEE

TOP/UPRIGHT SUPPORT

BASIC INFO

Number of Connections:

Two

Number of Set Screws:

Two

Finishes Available:

Galvanized

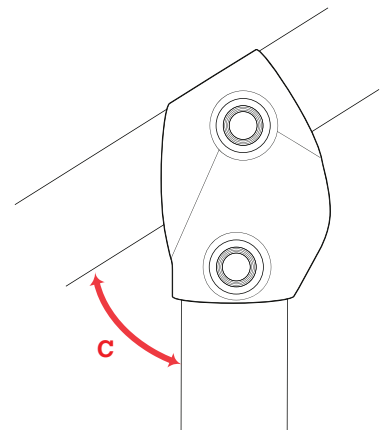
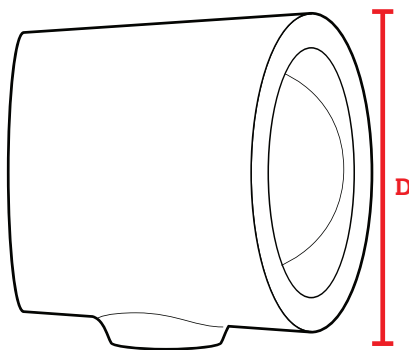
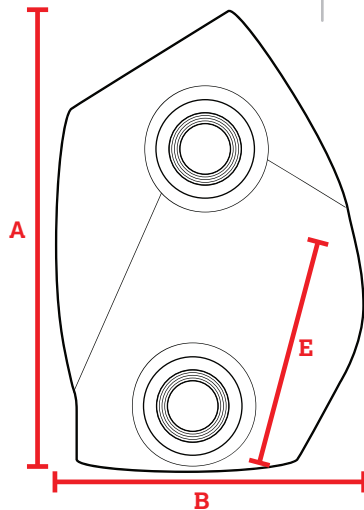
Piece Allow Movement:

No

The 30° - 45° Adjustable Tee is commonly used for bracing and struts and helps to provide additional support to your project. Two screws are provided with this fitting for a secure connection.

FEATURES:

- Hot-dipped galvanized coating for corrosion resistance
- Iron construction for durable performance
- Easy installation and removal, no permanent connections
- No special tools needed
- Use an Allen Wrench for connections
- Able to operate in temperatures ranging from -20°C to 300°C



PART #	SIZING	SET SCREW (in x mm)	A (Total Height)	B (Total Width)	C (Angle)	D (Total Depth)	E (Insertion Depth)	FITS PIPE OD (in)	WEIGHT (lbs)
672-906HC	1-1/4in	3/8 x 12.7	4.27	2.87	30°-45°	2.63	2.44	1.660	1.44