



30° - 45° ADJUSTABLE CROSS

MIDDLE SUPPORT

BASIC INFO

Number of Connections:

Three

Number of Set Screws:

Three

Finishes Available:

Galvanized

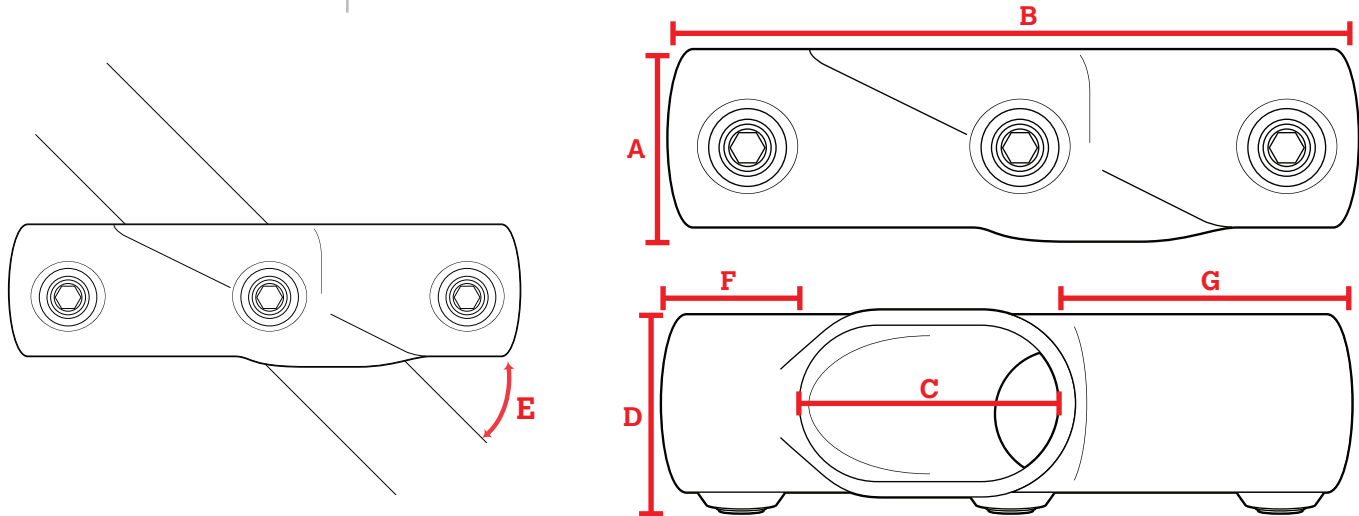
Piece Allow Movement:

No

The Adjustable Cross lets you have a vertical running pipe that allows for two pipe ends to connect at an angle. Three screws are included with this fitting for securing the two pipe ends to the central running pipe.

FEATURES:

- Hot-dipped galvanized coating for corrosion resistance
- Iron construction for durable performance
- Easy installation and removal, no permanent connections
- No special tools needed
- Use an Allen Wrench for connections
- Able to operate in temperatures ranging from -20°C to 300°C



PART #	SIZ- ING	SET SCREW (in x mm)	A (Total Height)	B (Total Width)	C (Middle Diameter)	D (Total Depth)	E (Angle)	F (Insertion Depth)	G (Insertion Depth)	FITS PIPE OD (in)	WEIGHT (lbs)
673-006HC	1-1/4in	3/8 x 12.7	2.17	7.48	3.43	2.33	30°-45°	1.61	3.31	1.660	2.28