



675-306HC | 1-1/4in

## 0° - 11° SHORT TEE

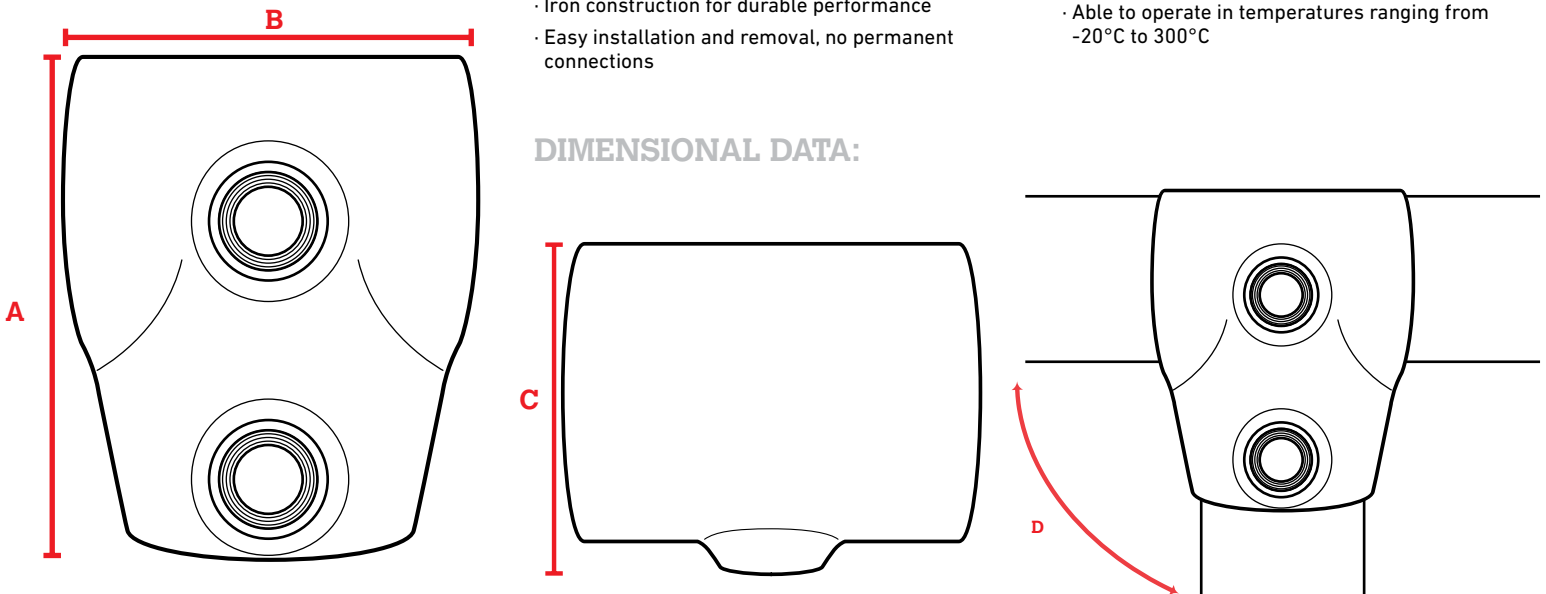
### DESCRIPTION:

The Short Tee allows for 0 to 11-degrees of change when securing the pipes and fitting together. This fitting allows for more than just a 90-degree angle when securing the base. The base of the fitting internally has a wider fitting to allow the pipe some wiggle room to meet the project needs. The base is secured with one screw and the top of the fitting allows for a pipe to run through it and is also secured with a single screw.

### FEATURES:

- Hot-Dipped Galvanized coating for corrosion resistance
- Iron construction for durable performance
- Easy installation and removal, no permanent connections
- No special tools needed
- Use an Allen Wrench for connections
- Able to operate in temperatures ranging from -20°C to 300°C

### DIMENSIONAL DATA:



PART #	SIZING	INSTALLATION SCREW (IN X MM)	A (Total Height)	B (Total Width)	C (Depth)	D (Angle)	FITS PIPE OD (IN)	WEIGHT (LBS)
675-306HC	1-1/4in	3/8 x 12.7	3.44	2.76	2.33	0°-11°	1.660	1.19

### CERTIFICATIONS & SAFETY:

- Materials meets ASTM A-197 Standard
- Not for Plumbing Applications
- Not for Scaffolding Applications
- Made to fit with SteelTek Pipe

#### California Prop 65 Warning:

This product contains chemicals including lead known to the State of California to cause cancer and birth defects or other reproductive harm. Wash hands after use.