



0° - 11° ELBOW

DESCRIPTION:

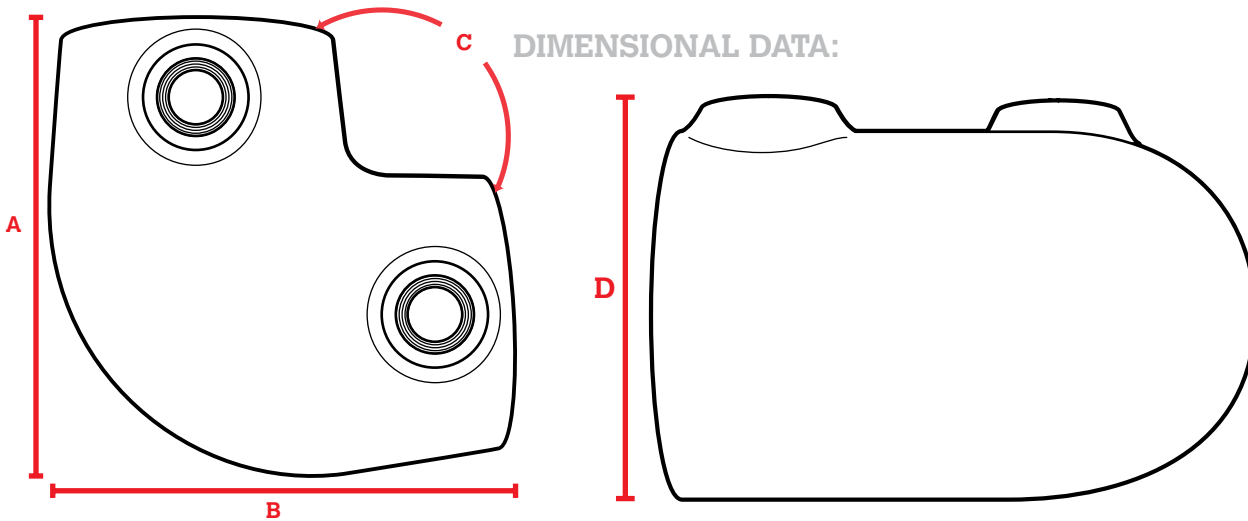
The 0 to 11-degree Elbow is very similar to the 90-degree Elbow but the fitting openings are wider which allows you to create an angle joint that is greater or less than 90-degrees. The fitting comes with two screws, each used at the fitting opening to secure the pipes to the fitting.

675-406HC | 1-1/4in

FEATURES:

- Hot-Dipped Galvanized coating for corrosion resistance
- Iron construction for durable performance
- Easy installation and removal, no permanent connections
- No special tools needed
- Use an Allen Wrench for connections
- Able to operate in temperatures ranging from -20°C to 300°C

DIMENSIONAL DATA:



PART #	SIZING	INSTALLATION SCREW (IN X MM)	A (Total Height)	B (Total Width)	C (Angle)	D (Depth)	FITS PIPE OD (IN)	WEIGHT (LBS)
675-406HC	1-1/4in	3/8 x 12.7	3.58	3.58	0°-11°	2.33	1.660	1.40

CERTIFICATIONS & SAFETY:

- Materials meets ASTM A-197 Standard
- Not for Plumbing Applications
- Not for Scaffolding Applications
- Made to fit with SteelTek Pipe

California Prop 65 Warning:

This product contains chemicals including lead known to the State of California to cause cancer and birth defects or other reproductive harm. Wash hands after use.