



## 0° - 45° THREE SOCKET TEE

### MIDDLE SUPPORT

#### BASIC INFO

**Number of Connections:**

Two

**Number of Set Screws:**

Three

**Finishes Available:**

Galvanized

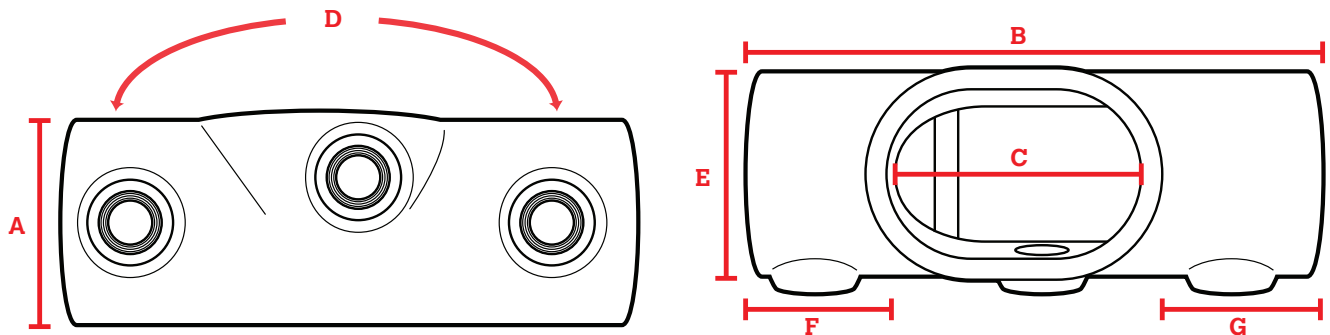
**Piece Allow Movement:**

No

The 0-45-Degree Three Socket Tee allows for vertical support to an angled running pipe. The branching outlet of the fitting allows for a variable pipe positioning which lets you adjust the pipe to where it needs to be for your project.

#### FEATURES:

- Hot-dipped galvanized coating for corrosion resistance
- Iron construction for durable performance
- Easy installation and removal, no permanent connections
- No special tools needed
- Use an Allen Wrench for connections
- Able to operate in temperatures ranging from -20°C to 300°C



PART #	SIZING	SET SCREW (in x mm)	A (Total Height)	B (Total Width)	C (Top Diameter)	D (Angle)	E (Depth)	F (Insertion Depth)	G (Insertion Depth)	FITS PIPE OD (in)	WEIGHT (lbs)
672-706HC	1-1/4in	3/8 x 12.7	2.17	5.79	2.53	45°	2.33	1.42	1.86	1.660	1.80