



0° - 11° TWO SOCKET CROSS

MIDDLE SUPPORT

BASIC INFO

Number of Connections:

Three

Number of Set Screws:

Three

Finishes Available:

Galvanized

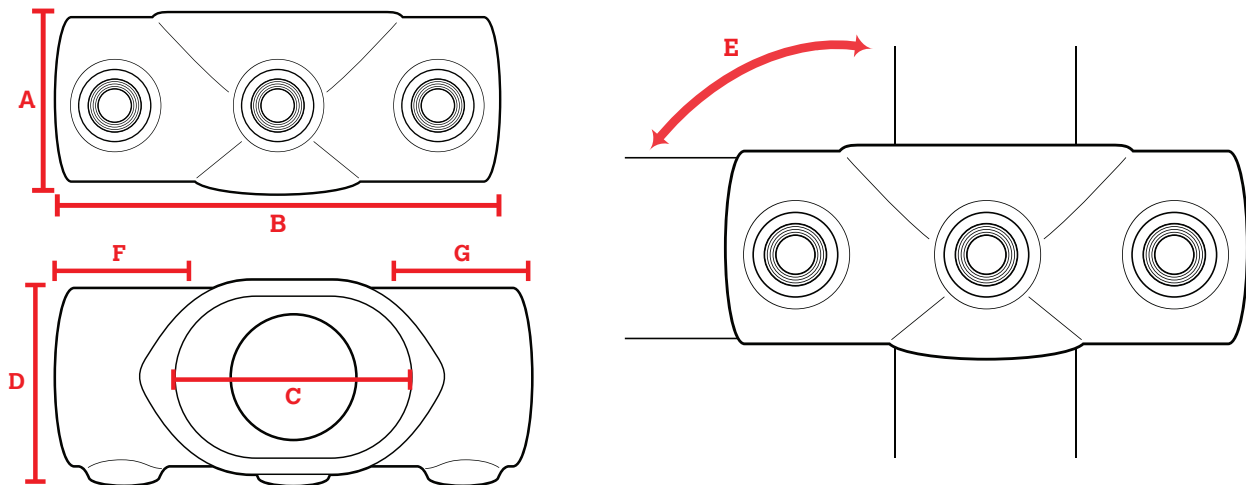
Piece Allow Movement:

No

The 0° to 11° Socket Cross allows a middle pipe to run through the fitting with two pipes to attach inside the fitting on both sides of the central pipe. The central connection point has a wider opening allowing for variable angling of the fitting. Each pipe is secured to the fitting by one screw which is included with the fitting.

FEATURES:

- Hot-dipped galvanized coating for corrosion resistance
- Iron construction for durable performance
- Easy installation and removal, no permanent connections
- No special tools needed
- Use an Allen Wrench for connections
- Able to operate in temperatures ranging from -20°C to 300°C



Part #	Finish	Sizing	Set Screw (in x mm)	A (Total Height)	B (Total Width)	C (Large Hole Diameter)	D (Depth)	E (Angle)	F (Insertion Depth)	G (Insertion Depth)	Fits Pipe OD (in)	Weight (lbs)
675-605HC	Galvanized	1-1/4in	3/8 x 12.7	2.17	5.51	2.68	2.33	0°-11°	1.22	1.22	1.660	1.55