



0° - 11° SHORT TEE

TOP/UPRIGHT SUPPORT

BASIC INFO

Number of Connections:

Two

Number of Set Screws:

Two

Finishes Available:

Galvanized

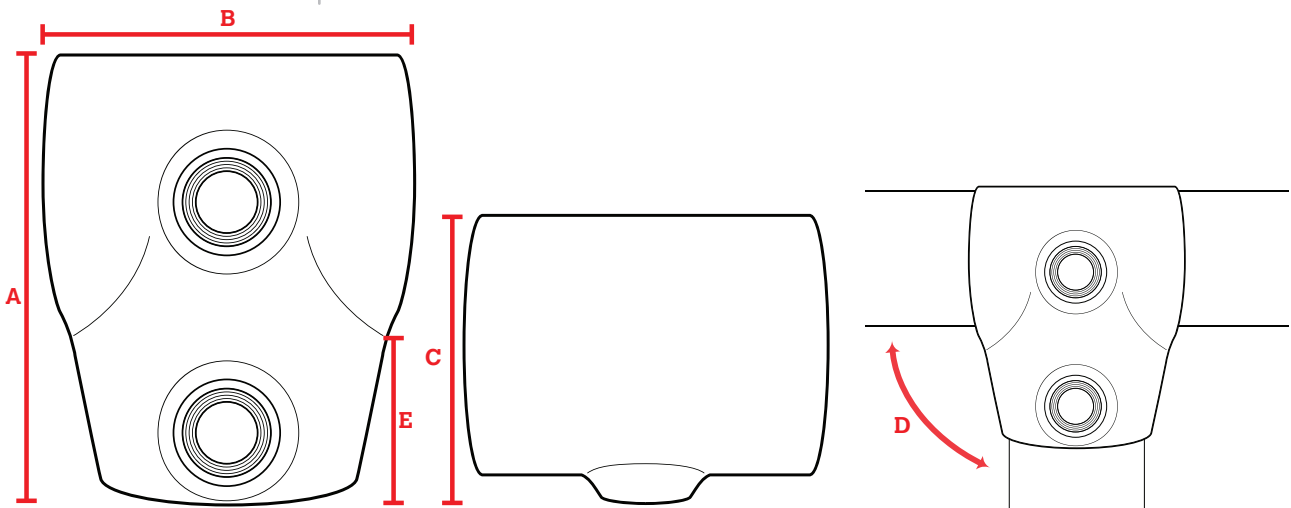
Piece Allow Movement:

No

The Short Tee allows for 0° to 11° of change when securing the pipes and fitting together. This fitting allows for more than just a 90° angle when securing the base. The base of the fitting internally has a wider fitting to allow the pipe some wiggle room to meet the project needs. The base is secured with one screw and the top of the fitting allows for a pipe to run through it and is also secured with a single screw.

FEATURES:

- Hot-dipped galvanized coating for corrosion resistance
- Iron construction for durable performance
- Easy installation and removal, no permanent connections
- No special tools needed
- Use an Allen Wrench for connections
- Able to operate in temperatures ranging from -20°C to 300°C



Part #	Finish	Sizing	Set Screw (in x mm)	A (Total Height)	B (Total Width)	C (Depth)	D (Angle)	E (Insertion Depth)	Fits Pipe OD (in)	Weight (lbs)
675-306HC	Galvanized	1-1/4in	3/8 x 12.7	3.44	2.76	2.33	0°-11°	1.29	1.660	1.19